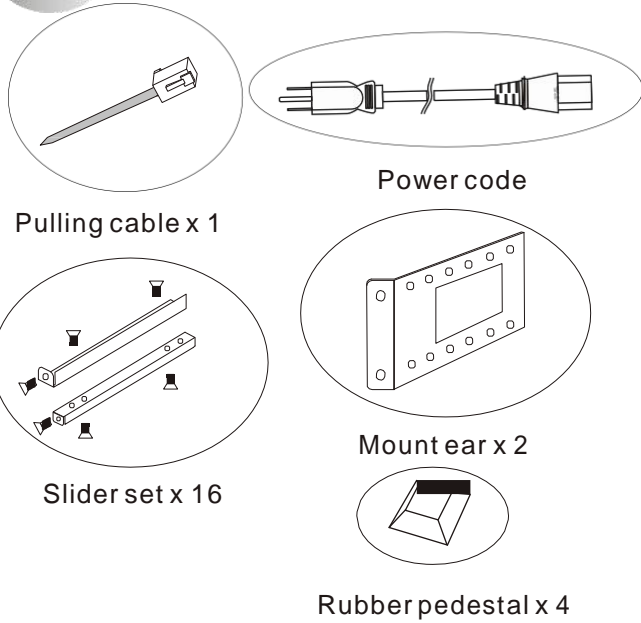
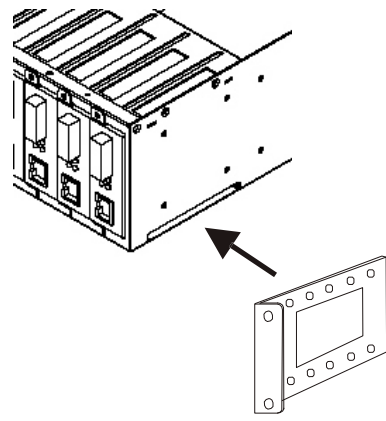


INSTALLATION AUXILIARY FIGURES

1 Accessories

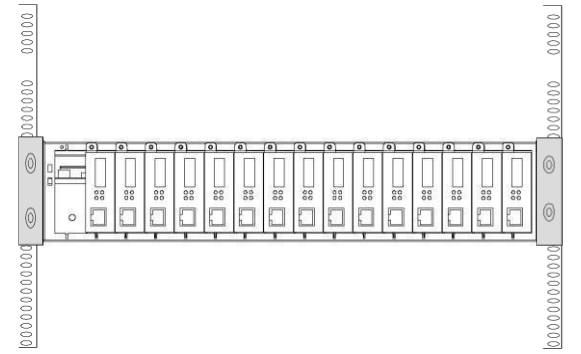


2 Mount Ear



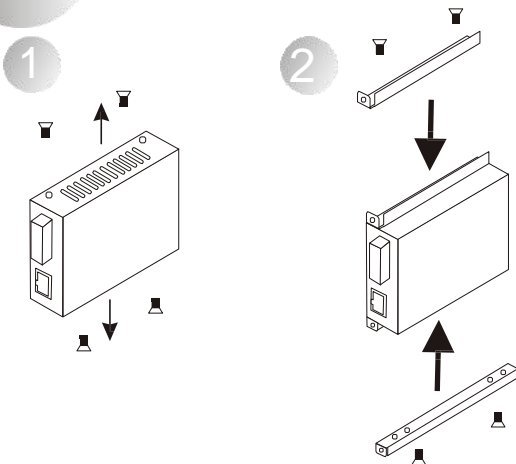
Take screws off to remove mount ear

3 Mount Rack



Fasten screws in rack to fix CVT-RACK-16

4 Upper and lower slider of media converter



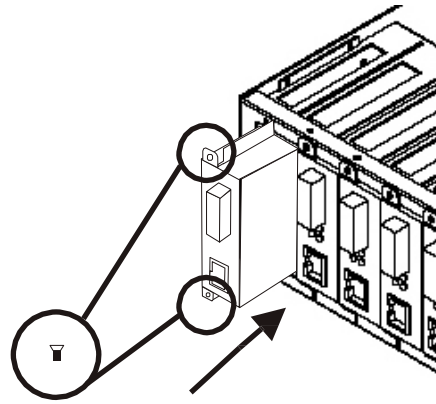
When installing the media converter to the Chassis, please attach two sliders to the media converter first.

1. Take off 4 screws from the media converter.
2. Fasten two sliders with screws in top and bottom location.

Note:

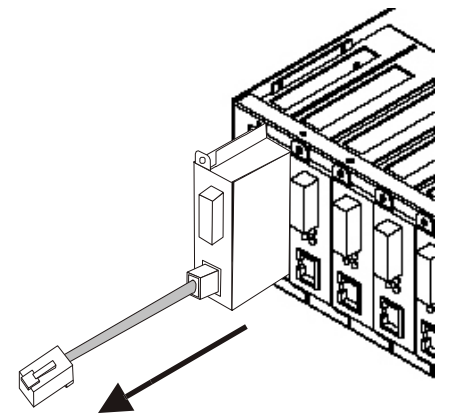
1. For recent media converters, there are 4 reserved screw holes on laterals or sliders.
2. If your media converters are older versions, please unscrew first (Refer to Point 1).
3. If your media converters already have reserved lateral holes, please fasten the sliders directly (Refer to Point 2).

5 Slide in



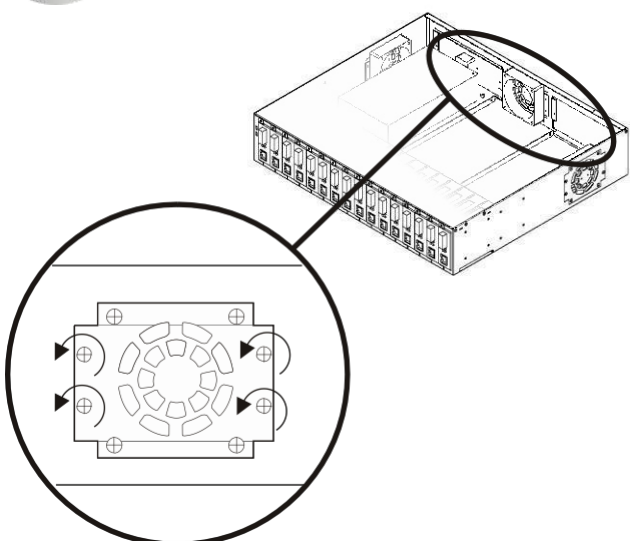
Push the media converter into CVT-RACK-16 and fasten screws on the slider of media converter.

6 Slide out with pulling cable



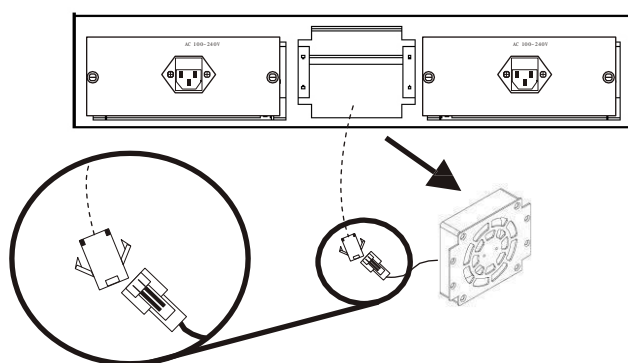
Pull out the media converter with the pulling cable.

7 Top view with fans location



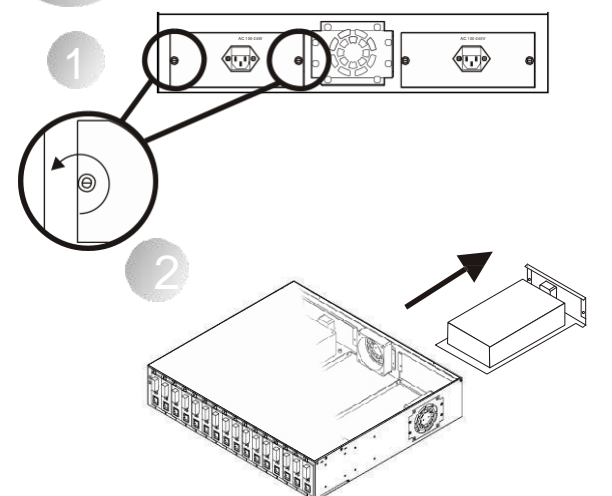
Unfasten four screws for fan replacement.

8 Fan Replacement



1. Take the fan out from CVT-RACK-16, then Pull power jacket off.
2. Replace a new fan, then put power jacket back.
3. Push the new fan back to CVT-RACK-16.
4. Fasten four screws.

9 Power Replacement



Remove screws from two sides of power supply then pull power supply out.

CVT-RACK-16

16 slots Universal
Media Converter Rack
optional for AC power

User's Guide

Version 1.9

Trademarks

Copyright Connection Technology Systems Inc.
Contents subject to revision without prior notice.
CTS is a registered trade mark of Connection
Technology Systems Inc.,
Other trademarks remain the property of their
owners.

Copyright Statement

This publication may not be reproduced as a whole
or in part, in any way whatsoever unless prior
consent has been obtained from Connection
Technology Systems Inc.

FCC Warning

The CVT-RACK-16 has been tested and certified as
with in Class A digital specifications under Part 15 of
FCC Rules. These standards are designed to provide
reasonable protection from harmful interference when
these units are used in a commercial environment.
These devices can use, generate and radiate radio
frequency energy and may cause harmful interference to
radio communications unless installed in accordance
with the instructions in this User's Guide.
Operation of this device in a residential area is likely
to cause harmful interference which will make the
user responsible for the appropriate remedial action
at his/her expense.

CE Mark Warning

The CVT-RACK-16 is a Class A product. In some
domestic environments it may cause radio interference
in which case the user will need to consider
adequate preventative measures.

1. Introduction

The CTS (Connection Technology Systems)
Media Converter Rack, CVT-RACK-16 is
designed to accommodate sixteen separate
and independent CTS media converters within
a rack-mountable rack.

The CVT-RACK-16 is fitted with two hot-
swappable power supplies and three hot-
swappable fans for enhanced reliability.
This means that if one supply fails, the other is
capable of taking over immediately. The other
benefit is that if power supply or fan fails then it
can be replaced with another one without taking
back whole CVT-RACK-16.

Power status is shown on the LED display
enabling the user to monitor and respond as
necessary. For optimal performance, please
ensure that the CVT-RACK-16 is placed in a
well-ventilated position, enabling air to circulate
above and below the unit.

The CVT-RACK-16 can also be installed in a
standard 19-inch site rack; provision has been
made for the appropriate connecting brackets.

*The Media Converter Rack has been designed
to house only the proprietary range of media
converters. Any other configuration is at the
users own risk.*

2. Installation (Refer to the back page)

2.1 Rack Mounting

The CVT-RACK-16 can be mounted in a standard
EIA 19-inch rack. Begin by aligning the mounting
brackets along the sides of the unit with the slit
over the holes. Secure the screws tightly to fit the
brackets to the device before fixing it into the
19-inch rack. Please ensure that the ventilation
holes are not obstructed. The step by step
procedure is shown next page.

2.2 Media Converter

1. Screw upper and lower sliders on media
converter.
2. Carefully align the slider and slide way, then
press with firm and steady pressure.

2.3 Cabling

1. The correct cable specifications and distances will
be listed in the media converter documentation.
2. Connect input media cable to the front of media
converter.

2.4 Powering

1. Connect the female end of the power cord to the
MCR.
2. Connect the male end of the power cord to an
external AC outlet.
3. The power A, B LED's on the CVT-RACK-16 will
illuminate when the installation is done correctly.
4. Similarly, the power indicator LED's on the media
converter will illuminate when installation is
complete and correct.

3. Specifications

Slot number
16 slots

LED
Power A Activity
Power B Activity

Redundancy
2 Hot-swappable redundant Powers

Power
Slide-in Power Module:
Input AC 110 V, 50/60Hz
or 220V, 50/60Hz
50/60Hz
Output DC 5V
Power Consumption:
Empty Loading: 9.5W

Typical Operation & Storage Temperature
Operation: 0 ~ 50°C
Storage Temperature: -20 ~ 60°C
Humidity: 5% ~ 90% non-condensing

Dimension and Weight
Size: 440 x 385 x 88 mm (WxDxH)
Shipping Weight:
CVT-RACK-16(Rack Only): 7.85 KG
CVT-RACK-16(With 2 Power Module): 10.8 KG

Emission/Safety:
EMI : FCC Class A, CE

Order Information

CVT-RACK-16
16 Slots Universal Media Converter Center

CVT-RACK-16-AC
Slide in AC Power Module for CVT-RACK-16

CVT-RACK-16 FB
Front Bracket set for CVT-RACK-16(Optional)

Strongly Recommended:

*To ensure the best performance of
standalone media converters, please keep
your environment temperature under 40
degrees Celsius. Or, install two power
modules for CVT-RACK-16.*

Contact Information:

Connection Technology Systems INC (CTS)
18F-6, No.79, Sec.1, Xintai 5th Rd., Xizhi Dist.,
New Taipei City 221, TAIWAN, R.O.C.
TEL: +886 2 26989661 FAX: +886 2 26989662
E-Mail: info@ctsystem.com