

## Connection instructions

Updated 11/26/2020

### Alarm module C20, 2-3220

Alarm module C20 is used to control an external alarm system with Axema VAKA.



# Connection

1. Power off the controller.
2. Mount the module at any module location in the door controller.
3. Install the supplied terminal below the module and power up the controller.
4. Power up the controller.

## Terminal description

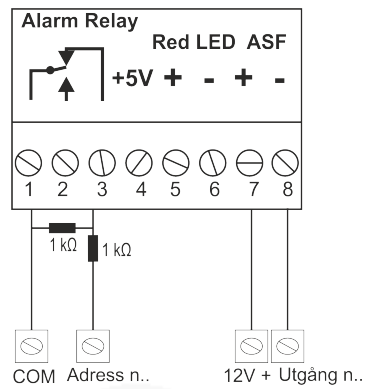
Connector	Function
1	Alarm relay (C)
2	Alarm relay (NO)
3	Alarm relay (NC)
4	5 V 20 mA output. Useful in some ASF applications (See terminals 7 & 8)
5	Red LED +
6	RED LED -
7 & 8	ASF input for feedback from the intrusion system ON / OFF status, 5V-24VDC.
<b>Important:</b> If the ASF signal from the alarm panel is a voltage exceeding 12V, Axema recommends mounting a serial resistor (4.7kOhm) on the plus side. This is to minimize power consumption of the alarm panel.	

### ASF tips

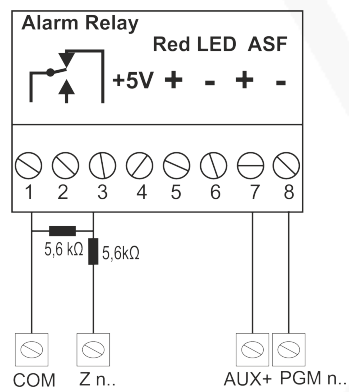
If the ASF signal from the control panel is a closing contact, connect terminals 4 to 7 in the C20 terminal, 8 in the C20 terminal to one status pole in the alarm panel, and the other status pole in the alarm panel to 36 or 44 (0V) in B28

# Connection of third-party alarm system with C20

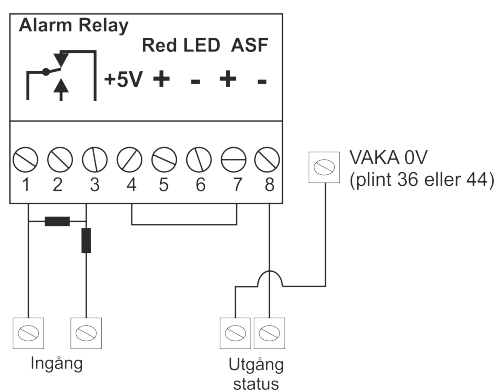
## Axema VAKA C20 and Galaxy



## Axema VAKA C20 and Teletec



## C20 and intrusion panels with potential-free relay switching for alarm status



## Installation and configuration

This manual only covers the installation and connection of the unit.