

AIR2-Hedera

OUTDOOR WIRELESS SOUNDERS/FLASHERS



The Hedera outdoor sounderflasher is especially designed to be installed and programmed through numerous programming options for the sounder, the flasher, maximum alarm time, flash rate per minute, signal activation mode, etc.

The Hedera interfaces with the Inim intrusion control system via an Air2-BS200 transceiver, which allows the control panel to supervise and control it. This permits the activation of distinctive signals for the different events, whose respective parameters can be directly programmed from the control panel.

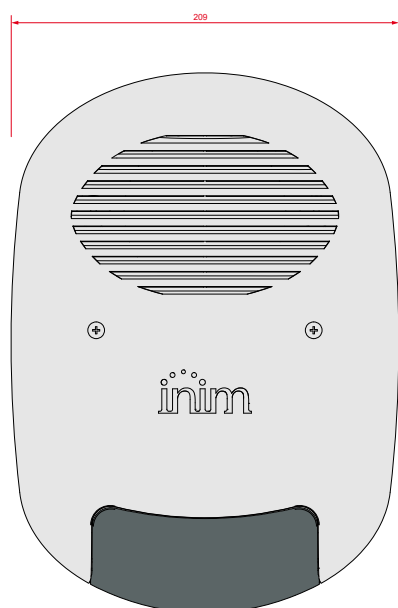
Through the Air2 system, the control panel is capable of supervising tamper signals, low battery, fault and the battery level. The Hedera provides self-diagnostic functions for identification of faults and, during installation, allows the operator to choose the type of signal for wireless signal loss.

The super bright LED flasher offers long autonomy and reduced power consumption and has two ancillary signal LEDs.

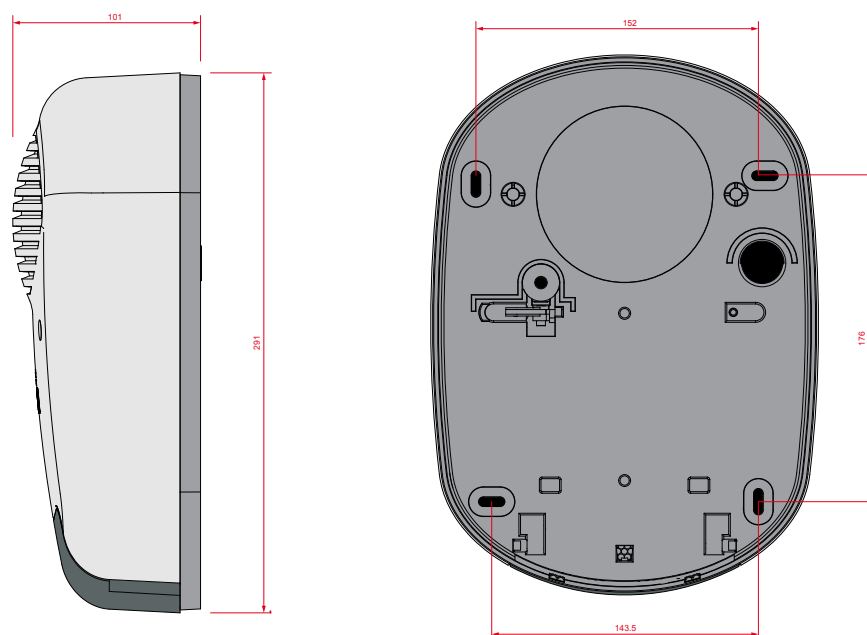
The Hedera sounderflasher is protected against dislodgement, forced opening and foam injection, the latter protection is located inside and consists of an infrared barrier with a dual detector that provides high immunity to false alarms.

The Hedera is also available in a "metal look" version .

Sounderflasher
- dimensions



Sounderflasher
- back



AIR2-HEDERA



Main features

Communication with Air2-BS200 transceiver	Two-way
Operating frequency	868 MHz
Programmable supervision time of wireless devices	from 12 to 250 minutes
Number of Hedera sounder/flashers supported by Air2-BS200	Maximum 4
Separate sound and flasher management	Yes
Volume adjustment	Yes
Protections	Dislodgement, opening and antifoam protection
Metal inner-shroud	Yes
LED signal flasher	Yes
Parameter programmable from device	Yes
Sound pressure at 1m.	103dBA
Carrier frequency	1148 Hz
Flash rate per minute (programmable)	36 -56
Maximum alarm-time (programmable)	4 min
Protection class	IP34
Battery	ER34615M 3,6V 13Ah
Estimated battery life	3 years (depending on activations)
Dimensions (HxWxD)	291 x 209 x 101mm
Weight	1350g
Security grade	2
Environmental class	IV

ORDER CODES

Air2-Hedera-F: outdoor wireless sounderflasher with antifoam protection

Air2-Hedera-FM: outdoor wireless sounderflasher with antifoam protection, metal look

Air2-Hedera-F#: wireless sounder/flasher with antifoam protection, batteries not included

Air2-Hedera-F#: wireless sounder/flasher with antifoam protection, metal look, batteries not included



Centobuchi, via Dei Lavoratori 10
63076, Monteprandone (AP), ITALY
Tel. +39 0735 705007 _ Fax +39 0735 704912

info@inim.biz _ www.inim.biz

Inim distributor's stamp
and signature