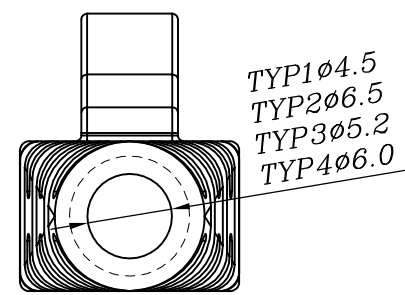
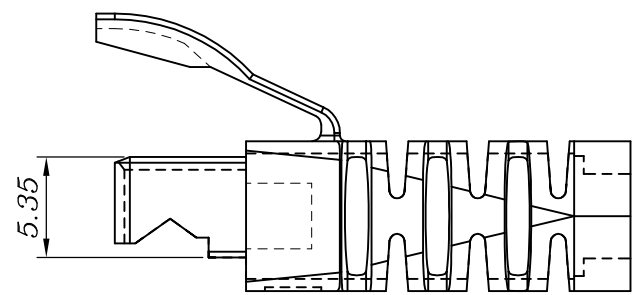
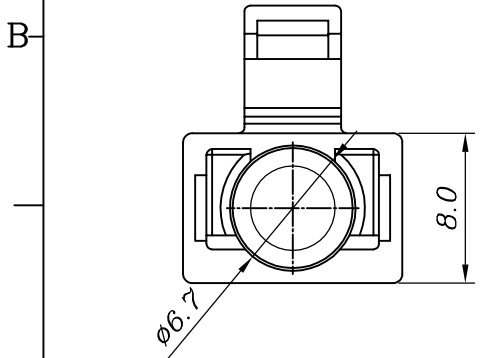
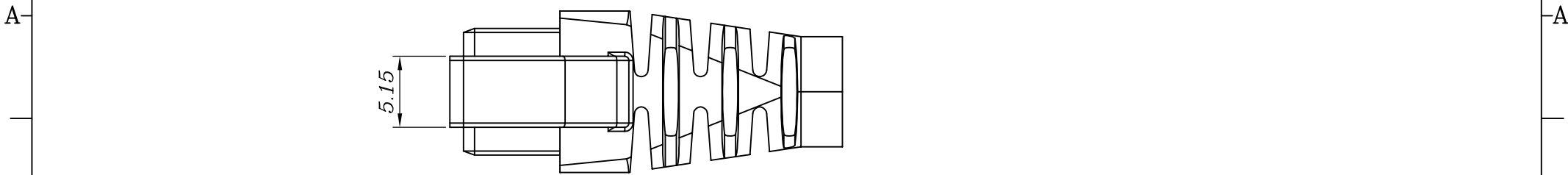
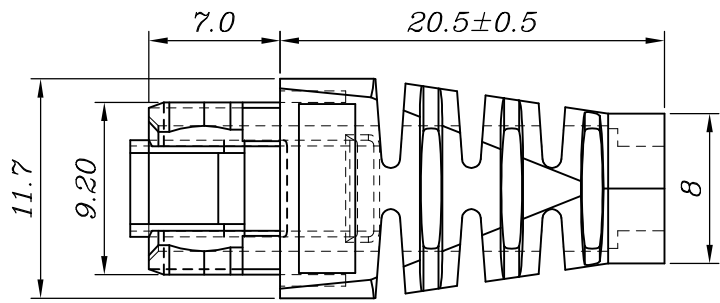


1 2 3 4 5 6 7

REV	DATE	MODIFICATION	DRAWN
	2016/03/23		



TYP1 $\phi 4.5$
 TYP2 $\phi 6.5$
 TYP3 $\phi 5.2$
 TYP4 $\phi 6.0$



TYP1	$\phi 4.5$	
TYP2	$\phi 6.5$	✓
TYP3	$\phi 5.2$	
TYP4	$\phi 6.0$	

Issued
 2018.08.14
 R&D

APS FSM OY FoneL Security Marketing				
DIMENSION IN mm (Inch) TOLERANCE UNLESS OTHERWISE SPECIFIED		MATERIAL PC	DWG NO. ARJ45B6ASPT	
.X±0.20	.X°±5°	TITLE ARJ45B6ASPT		
.XX±0.10	.XX°±2°			
APPROVAL	CHECKED	DRAWN	SCALE 5/2	SHEET 1/1
			PROJ.	REV A

1 2 3 4 5 6 7 ST-DR-009A