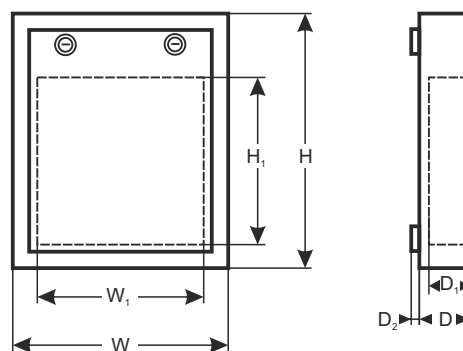


CODE: **AWO529W** v.1.6/IX
NAME: **Enclosure DVR/SMALL/VERTICAL/WHITE**

EN



Installation example:



DESTINATION

Enclosure construction is compliant with requirements of General Data Protection Regulation (GDPR), as personal data must be protected and stored securely. Enclosure protects recorder against unauthorized access or theft (two keys included). Made of 1,2 mm steel plate. Set includes two keys (different code) for each lock and a tamper switch indicating enclosure opening or unwanted removal of enclosure from wall.

Due to vertical installation and low depth, it is ideal for places where deeper enclosures or cabinets type RACK 19" cannot be installed. After opening enclosure, front cover is held in a horizontal position, providing easy access to buttons on front panel of DVR.

Enclosure has a special holder with retaining straps that allows for installation of recorders of following dimensions: width up to 375 mm, height: up to 95 mm, depth up to 335 mm.

TECHNICAL DATA:

External dimensions of enclosure:	W=432, H=501, D + D ₂ =121+14 [mm, +/-2]
Dimensions of recorder compartment:	W ₁ =375, H ₁ =335, D ₁ =95 [mm, +/-2]
Net/gross weight:	8,190 / 8,996 [kg]
Operating conditions:	Temperature: -10°C + +40°C relative humidity 20%...90%, without condensation
Material:	sheet metal, thickness: 1,2mm, anticorrosion protection, color RAL 9003 (white)
Destination:	inside
Tamper switch protection:	1 x microswitch: enclosure opening 0,5 A; 50 V DC max. NC – normally closed contacts 1 x microswitch: detachment from wall, 0,5A; 50 V DC max. NC – normally closed contacts
Closing:	lock MR008 (different code) x 2 pcs
Notes:	Distance from wall (mounting surface) – 14 mm. Set includes two keys (different code) for each lock.
Warranty:	2 years from production date