

# 12VDC Mains Adapters

CPS25x units are DC regulated power supply units for MPX & CFO series stand-alone installations.



CPS25x series mains adapters provide a nominal 12 VDC supply voltage with 3.3 A (40 W) rating.

In stand-alone installations the supply voltage is connected directly to MPX series codecs. With stand-alone CFO series modems the installations requires an additional CMA series housing module.

The primary input voltage range covers an area of 90 to 264 VAC (47 to 63 Hz) and thus making the units electrically compatible with world mains voltages.

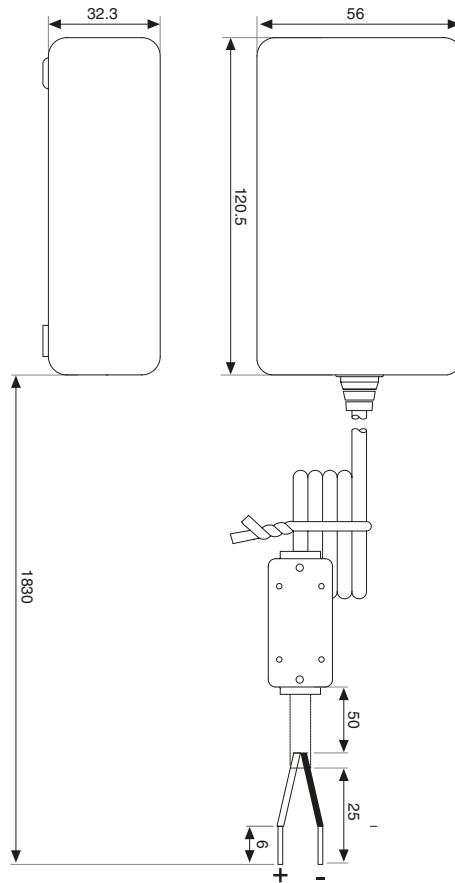
Depending on the selected model, the mains adapter is supplied with detachable mains cable with a relevant plug type (EU,UK or US).

## Features

- Power supply for CFO and MPX devices stand-alone installations
- Universal input voltage: 90...264 VAC
- +12 VDC / 2.1 A rating @+74°C
- +12 VDC / 3.3 A rating @+40°C
- Protected operation
- Meets EN55022 class "B" conducted
- Safety, EMC and RoHS approved
- Removable mains lead provided by country specific plugs (EU, UK & US)



## Dimensions



## Technical specifications (Typical values unless otherwise stated)

AC Input		General	
Voltage	90...264VAC	Efficiency	84%
Frequency	47...63Hz	MTBF	>200.000h at +25°C (75°F)
Input current (max)	1.5A RMS at 115VAC	Operating temperature	-34...+74°C (-29...165°F) spec. met at 0...+74°C (32...165°F)
Inrush current (max)	20A at 115VAC 40A at 230VAC	Start operation	-40°C (-40°F)
<b>DC Output</b>		Storage temperature	-40...+80°C (-40...176°F)
Output Voltage	12VDC	Dimensions (H x W x D)	32.3 x 56 x 120.5mm (1.3 x 2.2 x 4.8")
Output current	3.3A at +40°C 2.1A at +74°C	Weight	250g (0.551lbs)
Output power	40W at 0...+40°C (32...104°F) 25W at 0...+74°C (32...165°F)	Indicator	Green led output present
Ripple & noise	<100mA +/-1% or 50mV peak to peak	<b>Enclosure</b>	
Hold-up time	8ms	Housing	High impact plastic, 94V0 polycarbonate, non-ventilated, color black
Protection	Short circuit/over-current autorecover Over-voltage autorecover	<b>Mains Leads</b>	
Other protection	Input fusing	Connector type	C13
Output cord length	1.83m	Cord rating	10A/250VAC
<b>Safety &amp; EMI Ratings</b>		Cord length	2.50m
UL	UL60950-1	Plug	VIIG EU BS13/13 UK 498G US
CSA	CUL C22.2 60950-1		
TUV/GS	IEC950/EN60950		
CCC	GB4943, 9254, 17625.1		
C-Tick	AS/NZ 60950-1		
PSE	J60950		
CE	EN55022, class B		
FCC	part 15, class B		
ROHS	EU 2002/95/EC China SJ/T 11363-2006		

Copyright © 2012 Teleste Corporation. All rights reserved. TELESTE is a registered trademark of Teleste Corporation.

PAP\_CP525x v3 09/03/2012