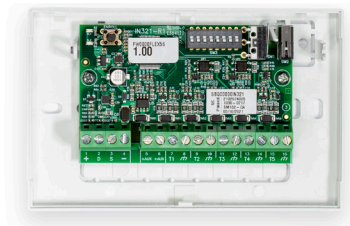


# Flex5/S



EN 50131-1  
EN 50131-3  
EN 50130-4  
EN 50130-5  
CEB T031

## 5 INPUTS/OUTPUTS EXPANSIONS



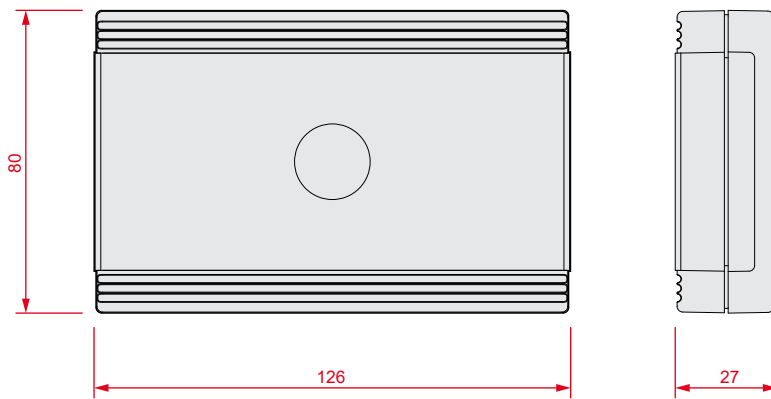
Flex5/SP



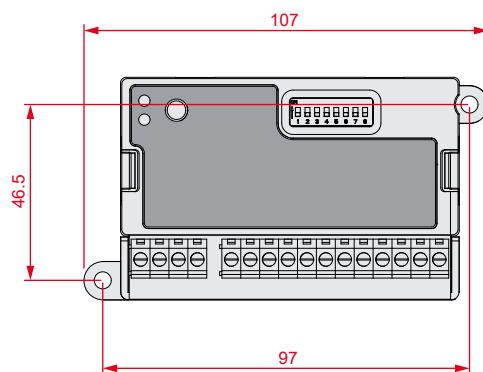
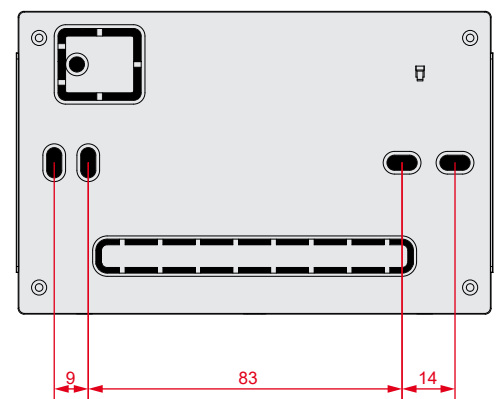
Flex5/SU

Flex5/S is a module that expands the number of zones or outputs on the Inim system. The Flex5/S board receives its power and commands via the control panel bus. The power supply to the device and the two ancillary power outputs against short-circuit and overload. The Flex5/S allows you to program its 5 terminals independently as inputs or outputs. All the terminals can also manage directly roller shutter contacts or vibration detectors. If programmed as outputs, these terminals can sink 250 mA. Terminals 4 and 5 can be configured as 0-10V c.c. analogue outputs. The Flex5/SP model is protected against break-open and break-off tamper (these protections can be disabled if necessary).

### Flex5/SP – Dimensions



### Flex5/SP – Back

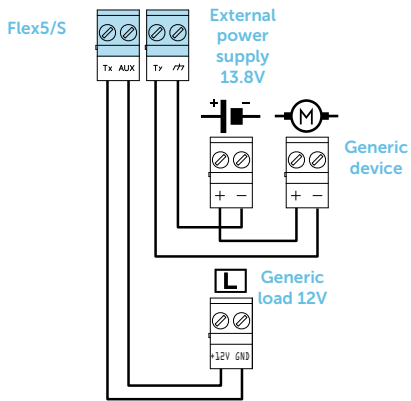


Flex5/SU – Dimensions

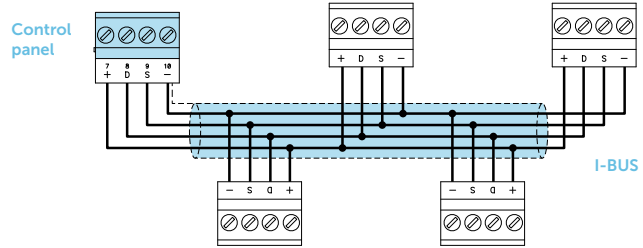
### Technical specifications

	Flex5/SP	Flex5/SU
Operating voltage		9 – 15V $\bar{\bar{m}}$
Current absorption		20mA
Current across +AUX terminals		800 mA
Current for each output terminal as O.C.		250mA
Terminals		5
Terminals programmable as inputs		5
Terminal programmable as output		5
Terminals programmable as roller shutters/shock inputs		5
Terminals programmable as analogue output 0 – 10 V c.c.		2
Dimensions (HxWxD)	80x126x27 mm	59x107x22 mm
Power output	3.6 V	3.6 V
Maximum output current	100mA	100mA
Weight	106 g	70 g

## OUTPUTS

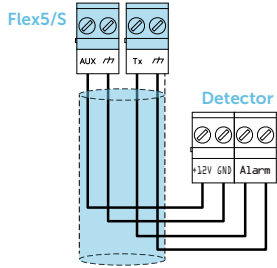


## I-BUS CONFIGURATION DIAGRAM



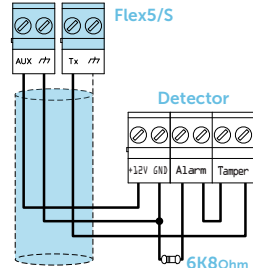
## BALANCING

### N.C./N.O. balancing



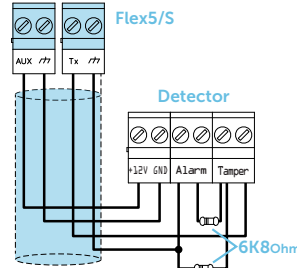
Ohm	Zone	N.O.
> 2 x 3900 + 6800	alarm	stand-by
> 2 x 3900 + 6800	alarm	stand-by
3900 + 6800	alarm	alarm
2 x 3900	alarm	alarm
3900	stand-by	alarm
0	stand-by	alarm

### Single balancing



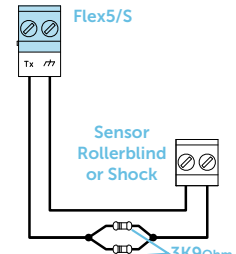
Ohm	Zone
> 6800	alarm
6800	stand-by
0	tamper

### Double balancing



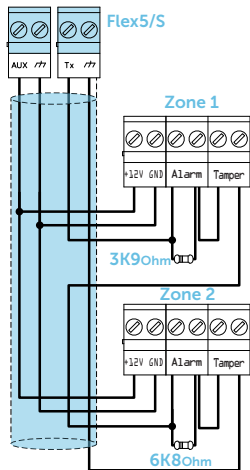
Ohm	Zone
> 6800	tamper (wire cutting)
6800	alarm
6800 / 2	stand-by
0	tamper (short-circuit)

### Single balancing (N.C. with EOL)



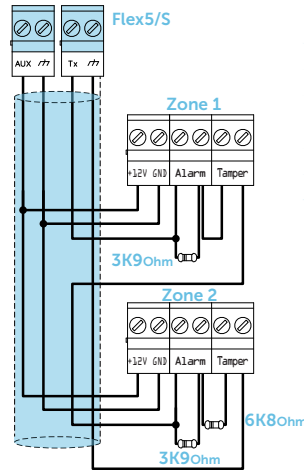
Ohm	Zone
> 3900 / 2	tamper (wire cutting)
3900 / 2	stand-by
0	tamper (short-circuit)

### Double-Zone balancing



Ohm	Zone 1	Zone 2 (double)
> 3900 + 6800		tamper
3900 + 6800	alarm	alarm
6800	stand-by	alarm
3900	alarm	stand-by
0	stand-by	stand-by

### Double Zone balancing with EOL



Ohm	Zone 1	Zone 2 (double)
> 2 x 3900 + 6800		tamper (wire cutting)
> 2 x 3900 + 6800	alarm	alarm
3900 + 6800	stand-by	alarm
2 x 3900	alarm	stand-by
3900	stand-by	stand-by
0		tamper (short-circuit)

## ORDER CODES

**Flex5/SP**: expansion board with 5 inputs/outputs and tamper protection.  
**Flex5/SU**: expansion board with 5 inputs/outputs with terminals on-view.