

HPSB series power supply unit - multi-output 27,6V

Buffer, switch mode power supply unit HPSB 27,6V/5x1A/2x17Ah



EN/I

Features:

Buffer PSU, switched-mode, without a microprocessor-based operating control, multi-output, with 5x1A/27,6VDC outputs, fitting 2x17Ah batteries.

Description:

Mounting the AWZ580 LB8 5x1A (GLASS FUSE) fuse module, or AWZ579 LB8 5x1A (POLYMER FUSE) inside the HPSB5524C (27,6V/5A/2x17Ah) PSU, it is possible to configure a 5x1A/27,6VDC buffer PSU with a buffering function (2x17Ah).

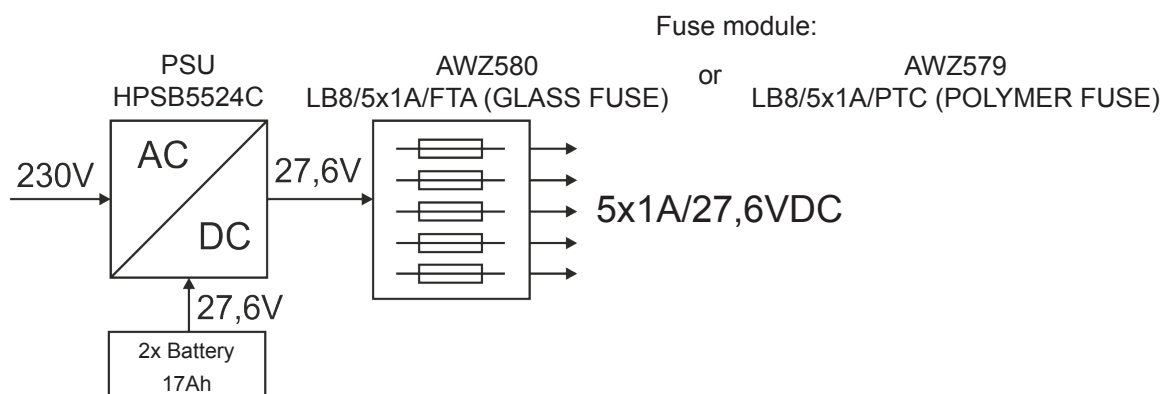
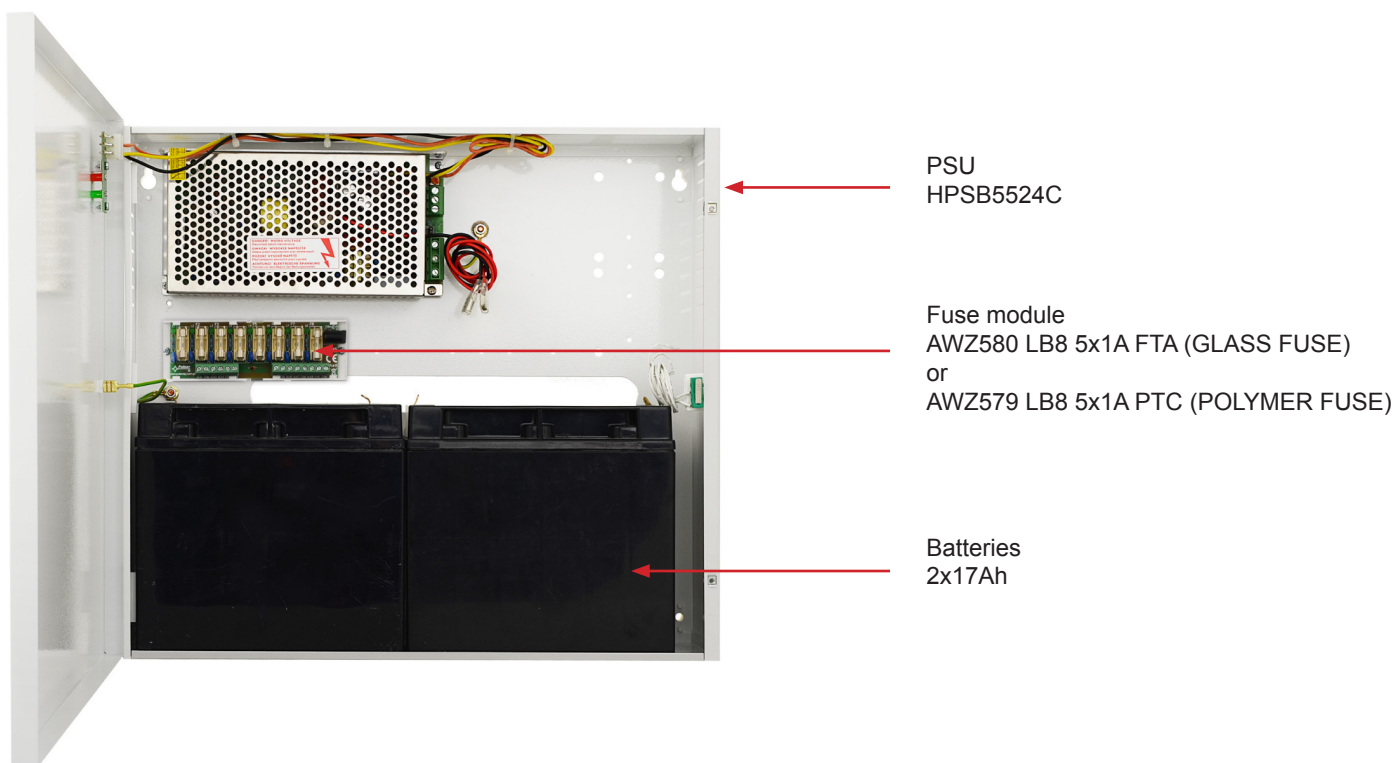
In order to configure the PSU, one must buy and install:

Code:	Name:
1. HPSB5524C	27,6V/5A/2x17Ah buffer, switch mode power supply unit
2. AWZ580	LB8/0.3-1.0A/FTA fuse module (GLASS FUSE)
or	or
3. AWZ579	LB8/1A/PTC fuse module (POLYMER FUSE)
4. 2x17 Ah	Batteries 2x17Ah

Intended use:

The PSU can be applied for supplying devices that require direct current of 27,6V/5x1A, with a buffering function (2x17Ah).

Picture and block diagram:



HPSB series power supply unit - multi-output 27,6V

Buffer, switch mode power supply unit HPSB 27,6V/10x0,5A/2x17Ah



EN/I

Features:

Buffer PSU, switched-mode, without a microprocessor-based operating control, multi-output, with 10x0,5A/27,6VDC outputs, fitting 2x17Ah batteries.

Description:

Mounting the AWZ580 LB8 5x0,5A (GLASS FUSE) fuse module - 2 pcs - or AWZ578 LB8 5x0,5A (POLYMER FUSE) - 2 pcs - inside the HPSB5524C (27,6V/5A/2x17Ah) PSU, it is possible to configure a 10x0,5A/27,6VDC buffer PSU with a buffering function (2x17Ah).

In order to configure the PSU, one must buy and install:

Code:

1. HPSB5524C
2. 2xAWZ580
or
3. 2xAWZ578
4. 2x17Ah

Name:

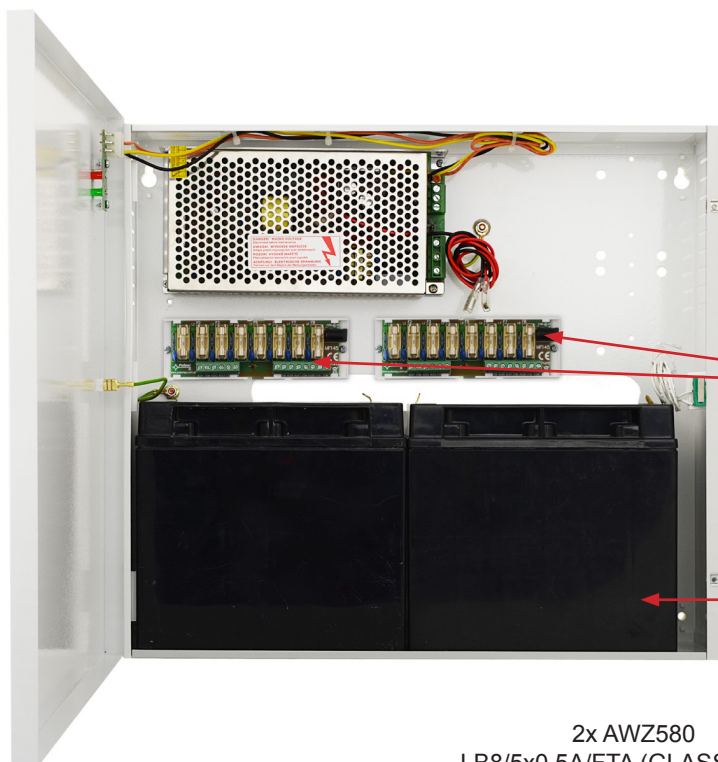
- 27,6V/5A/2x17Ah buffer, switch mode power supply unit
LB8/0.3-1.0A/FTA fuse module (GLASS FUSE)
or
LB8/0,5A/PTC fuse module (POLYMER FUSE)
Batteries 2x17Ah

10x0,5A/27,6VDC

Intended use:

The PSU can be applied for supplying devices that require direct current of 27,6V/10x0,5A, with a buffering function (2x17Ah).

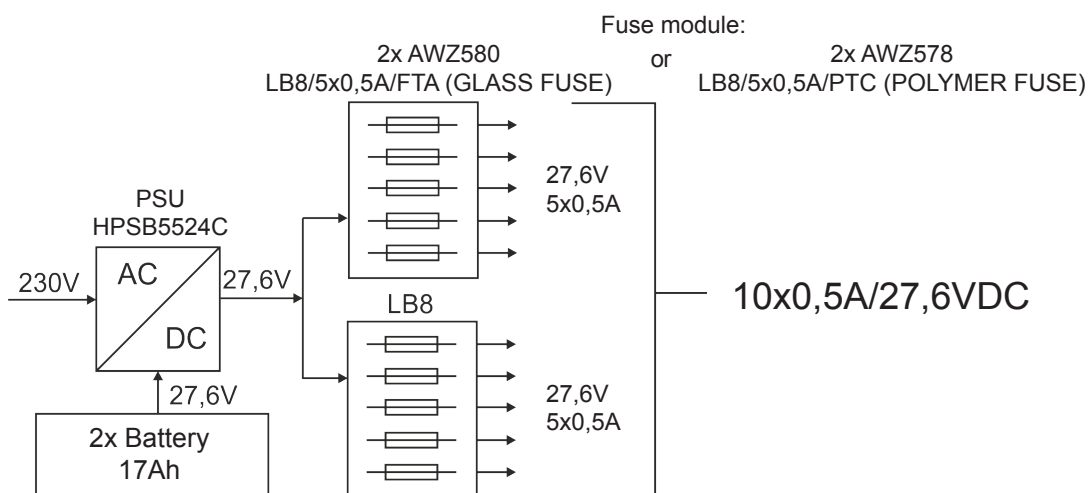
Picture and block diagram:



PSU
HPSB5524C

Fuse module
2x AWZ580 LB8 5x0,5A FTA (GLASS FUSE)
or
2x AWZ578 LB8 5x0,5A PTC (POLYMER FUSE)

Batteries
2x17Ah



HPSB series power supply unit - multi-output 27,6V

Buffer, switch mode power supply unit HPSB 27,6V/16x0,3A/2x17Ah



EN/I

Features:

Buffer PSU, switched-mode, without a microprocessor-based operating control, multi-output, with 16x0,3A/27,6VDC outputs, fitting 2x17Ah batteries.

Description:

Mounting the AWZ580 LB8 8x0,3A (GLASS FUSE) fuse module - 2 pcs - or AWZ577 LB8 8x0,3A (POLYMER FUSE) - 2 pcs - inside the HPSB5524C (27,6V/5A/2x17Ah) PSU, it is possible to configure a 16x0,3A/27,6VDC buffer PSU with a buffering function (2x17Ah).

In order to configure the PSU, one must buy and install:

Code:

1. HPSB5524C
2. 2xAWZ580
or
3. 2xAWZ577
4. 2x17Ah

Name:

- 27,6V/5A/2x17Ah buffer, switch mode power supply unit
LB8/0.3-1.0A/FTA fuse module (GLASS FUSE)
or
LB8/8x0,3A/PTC fuse module (POLYMER FUSE)
Batteries 2x17Ah

16x0,3A/27,6VDC

Intended use:

The PSU can be applied for supplying devices that require direct current of zasilania 27,6V/16x0,3A, with a buffering function (2x17Ah).

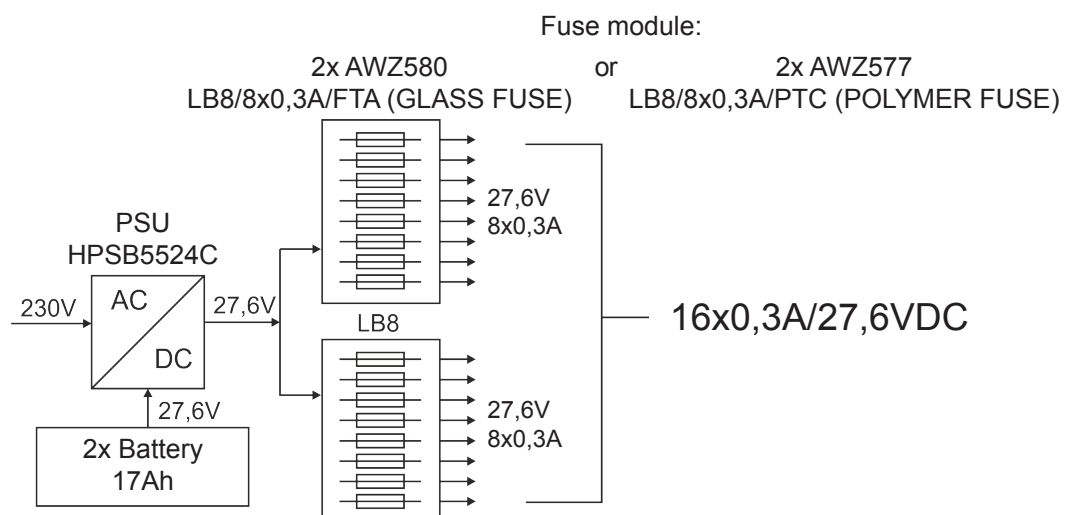
Picture and block diagram:



PSU
HPSB5524C

Fuse module
2x AWZ580 LB8 8x0,3A FTA (GLASS FUSE)
or
2x AWZ577 LB8 8x0,3A PTC (POLYMER FUSE)

Batteries
2x17Ah



HPSB series power supply unit - multi-output 24V

Buffer, switch mode power supply unit HPSB 27,6V/2x24V/2x2,5A/

2x17Ah



EN/I

Features:

Buffer PSU, switched-mode, without a microprocessor-based operating control, multi-output, with 2x2,5A/2x24VDC outputs, fitting 2x17Ah batteries.

Description:

Mounting the RN25024 (27,6V/24V/2,5A) voltage reducer - 2 pcs - which is intended for lowering the voltage from 27,6V into 24V inside the HPSB5524C (27,6V/5A/2x17Ah) PSU, it is possible to configure a 2x2,5A/2x24VDC buffer PSU with a buffering function (2x17Ah).

In order to configure the PSU, one must buy and install:

Code:

1. HPSB5524C
2. 2xRN25024
3. 2x17Ah

Name:

- 27,6V/5A/2x17Ah buffer, switch mode power supply unit
27,6V/24V/2,5A voltage reducer
Batteries 2x17Ah

Intended use:

The PSU can be applied for supplying devices that require direct current of 2x24V/2x2,5A, with a buffering function (2x17Ah).

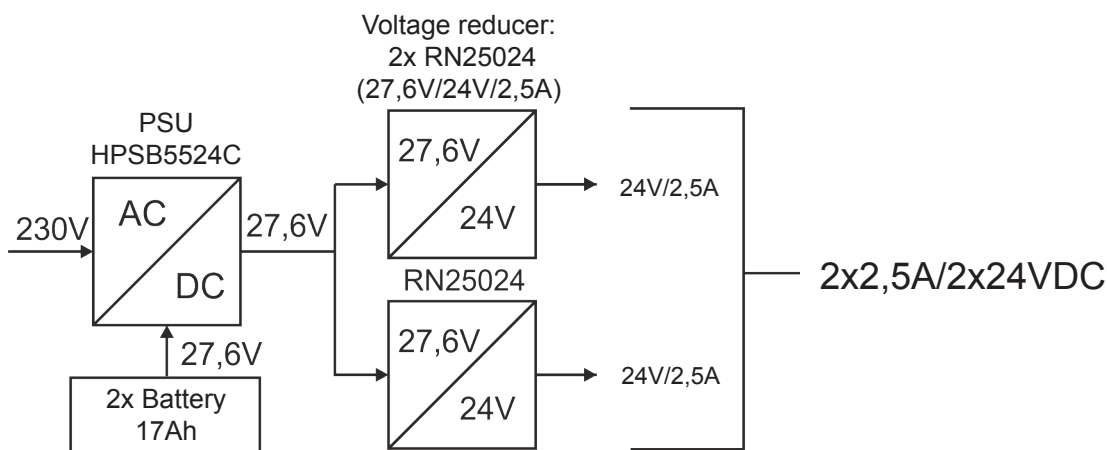
Picture and block diagram:



PSU
HPSB5524C

Voltage reducer:
2x RN25024 (27,6V/24V/2,5A)
(reduces voltage from 27,6V into 24V)

Batteries
2x17Ah



HPSB series power supply unit - multi-output 24V

Buffer, switch mode power supply unit HPSB 27,6V/2x24V/8x0,5A/

2x17Ah



EN/I

Features:

Buffer PSU, switched-mode, without a microprocessor-based operating control, multi-output, with 8x0,5A/2x24VDC outputs, fitting 2x17Ah batteries.

Description:

Mounting the RN25024 (27,6V/24V/2,5A) voltage reducer - 2 pcs - which is intended for lowering the voltage from 27,6V into 24V and the AWZ576 LB4 4x0,5A (GLASS FUSE) - 2 pcs - or AWZ574 LB4 4x0,5A (POLYMER FUSE) fuse module - 2 pcs - inside the HPSB5524C (27,6V/5A/2x17Ah) PSU, it is possible to configure a 8x0,5A/2x24VDC buffer PSU with a buffering function (2x17Ah).

In order to configure the PSU, one must buy and install:

Code:

1. HPSB5524C
2. 2x RN25024
3. 2x AWZ576
or
4. 2x AWZ574
5. 2x17Ah

Name:

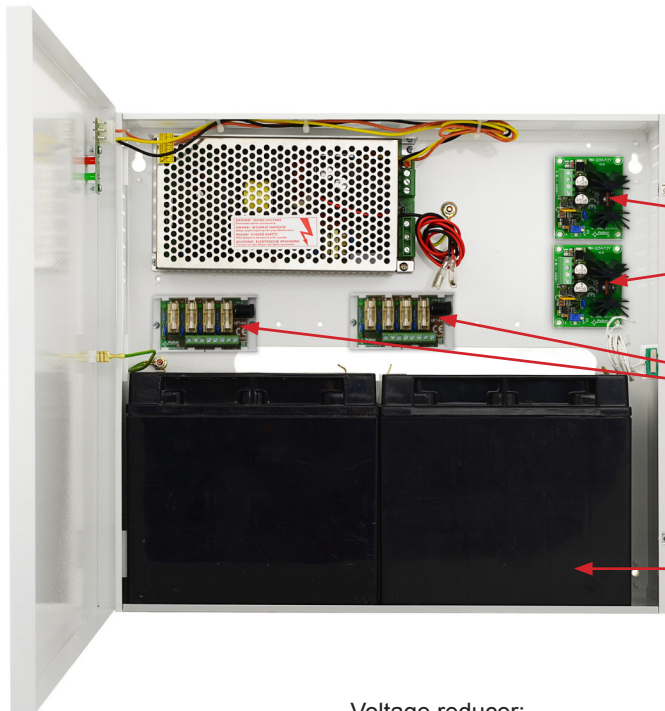
1. 27,6V/5A/2x17Ah buffer, switch mode power supply unit
2. 27,6V/24V/2,5A voltage reducer
3. LB4/0,3-1,0A/FTA fuse module (GLASS FUSE)
or
4. LB4/0,5A/PTC fuse module (POLYMER FUSE)
5. Batteries 2x17Ah

8x0,5A/2x24VDC

Intended use:

The PSU can be applied for supplying devices that require direct current of 2x24V/8x0,5A, with a buffering function (2x17Ah).

Picture and block diagram:

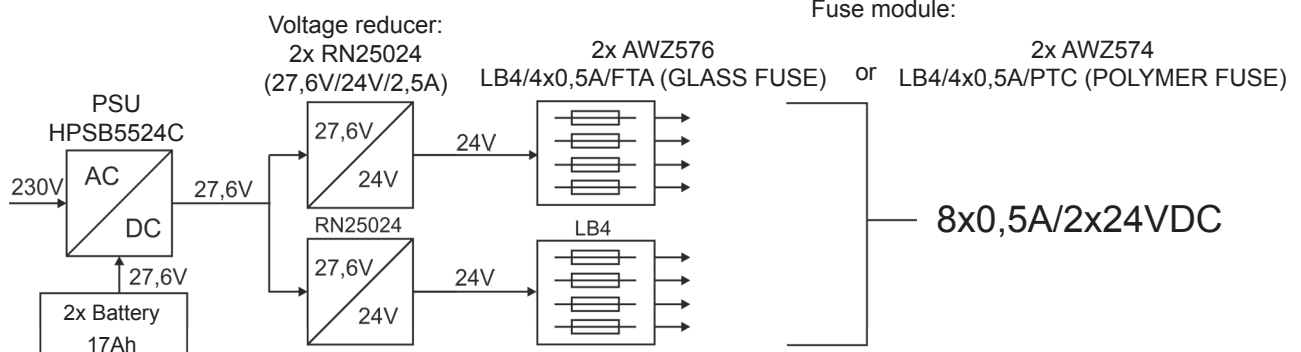


PSU
HPSB5524C

Voltage reducer:
2x RN25024 (27,6V/24V/2,5A)
(reduces voltage from 27,6V into 24V)

Fuse module
2x AWZ576 LB4 4x0,5A FTA (GLASS FUSE)
or
2x AWZ574 LB4 4x0,5A PTC (POLYMER FUSE)

Batteries
2x17Ah



HPSB series power supply unit - multi-output 24V

Buffer, switch mode power supply unit HPSB 27,6V/2x24V/10x0,5A/

2x17Ah



EN/I

Features:

Buffer PSU, switched-mode, without a microprocessor-based operating control, multi-output, with 10x0,5A/2x24VDC outputs, fitting 2x17Ah batteries.

Description:

Mounting the RN25024 (27,6V/24V/2,5A) voltage reducer - 2 pcs - which is intended for lowering the voltage from 27,6V into 24V and the AWZ580 LB8 5x0,5A (GLASS FUSE) - 2 pcs - or AWZ578 LB8 5x0,5A (POLYMER FUSE) fuse module - 2 pcs - inside the HPSB5524C (27,6V/5A/2x17Ah) PSU, it is possible to configure a 10x0,5A/2x24VDC buffer PSU with a buffering function (2x17Ah).

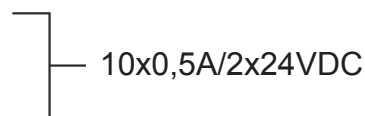
In order to configure the PSU, one must buy and install:

Code:

- 1. HPSB5524C
- 2. 2x RN25024
- 3. 2x AWZ580
or
- 4. 2x AWZ578
- 5. 2x17Ah

Name:

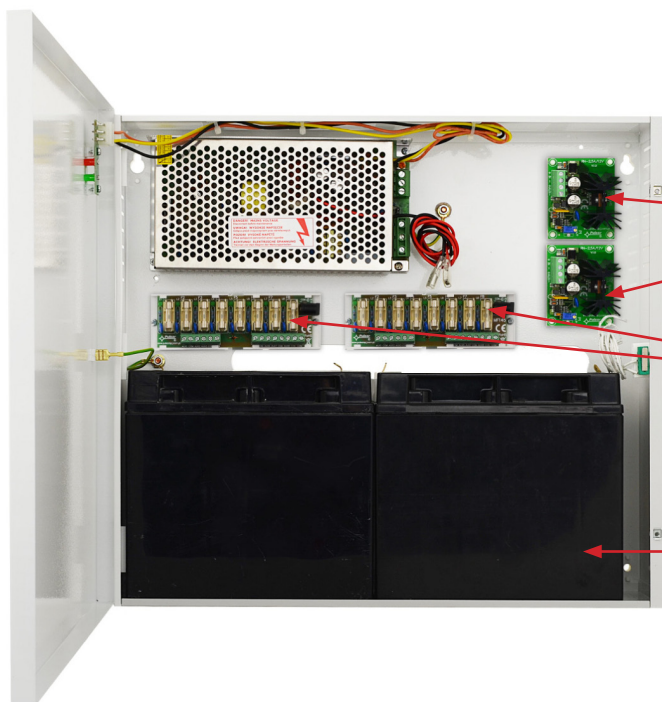
- 27,6V/5A/2x17Ah buffer, switch mode power supply unit
- 27,6V/24V/2,5A voltage reducer
- LB8/0.3-1.0A/FTA fuse module (GLASS FUSE)
or
- LB8/0,5A/PTC fuse module (POLYMER FUSE)
- Batteries 2x17Ah



Intended use:

The PSU can be applied for supplying devices that require direct current of 2x24V/10x0,5A, with a buffering function (2x17Ah).

Picture and block diagram:

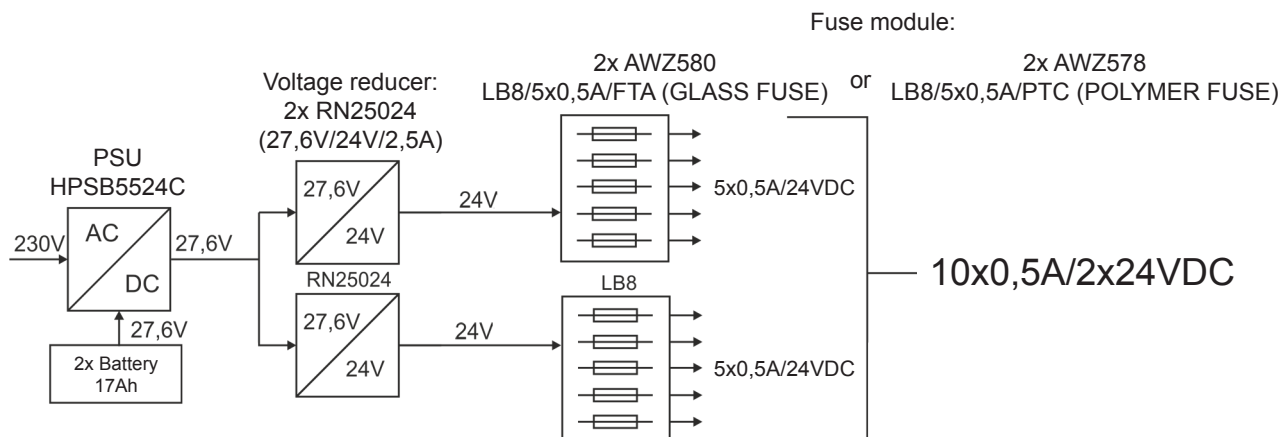


PSU
HPSB5524C

Voltage reducer:
2x RN25024 (27,6V/24V/2,5A)
(reduces voltage from 27,6V into 24V)

Fuse module
2x AWZ580 LB8 5x0,5A FTA (GLASS FUSE)
or
2x AWZ578 LB8 5x0,5A PTC (POLYMER FUSE)

Batteries
2x17Ah



HPSB series power supply unit - multi-output 24V

Buffer, switch mode power supply unit HPSB 27,6V/2x24V/16x0,3A/

2x17Ah



EN/I

Features:

Buffer PSU, switched-mode, without a microprocessor-based operating control, multi-output, with 16x0,3A/2x24VDC outputs, fitting 2x17Ah batteries.

Description:

Mounting the RN25024 (27,6V/24V/2,5A) voltage reducer - 2 pcs - which is intended for lowering the voltage from 27,6V into 24V and the AWZ580 LB8 8x0,3A (GLASS FUSE) - 2 pcs - or AWZ577 LB8 8x0,3A (POLYMER FUSE) fuse module - 2 pcs - inside the HPSB5524C (27,6V/5A/2x17Ah) PSU, it is possible to configure a 16x0,3A/2x24VDC buffer PSU with a buffering function (2x17Ah).

In order to configure the PSU, one must buy and install:

Code:

1. HPSB5524C
2. 3x RN25024
3. 2x AWZ580
or
4. 2x AWZ577
5. 2x17Ah

Name:

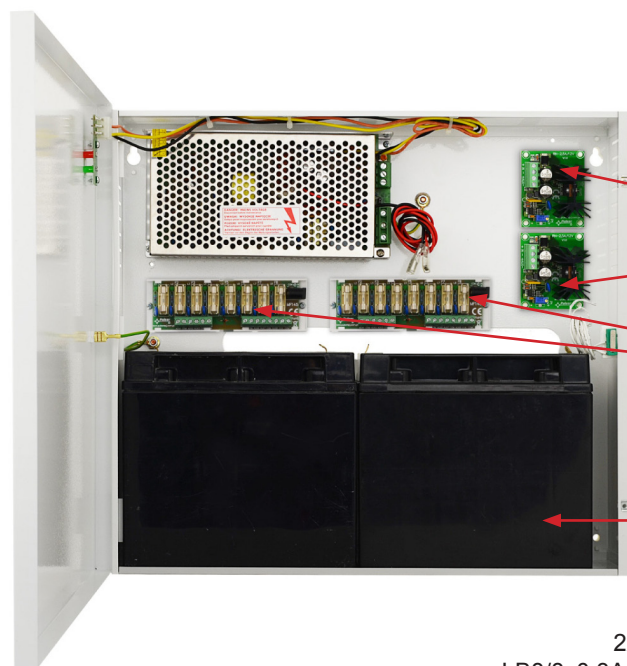
1. 27,6V/5A/2x17Ah buffer, switch mode power supply unit
2. 27,6V/24V/2,5A voltage reducer
3. LB8/0.3-1.0A/FTA fuse module (GLASS FUSE)
or
4. LB8/0,3A/PTC fuse module (POLYMER FUSE)
5. Batteries 2x17Ah

16x0,3A/2x24VDC

Intended use:

The PSU can be applied for supplying devices that require direct current of 2x24V/16x0,3A, with a buffering function (2x17Ah).

Picture and block diagram:



PSU
HPSB5524C

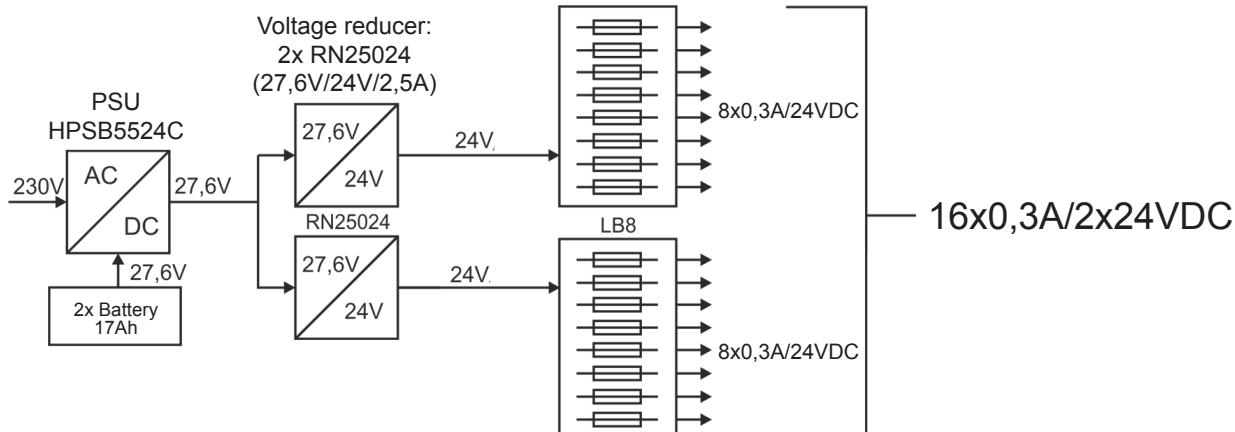
Voltage reducer:
2x RN25024 (27,6V/24V/2,5A)
(reduces voltage from 27,6V into 24V)

Fuse module
2x AWZ580 LB8 8x0,3A FTA (GLASS FUSE)
or
2x AWZ577 LB8 8x0,3A PTC (POLYMER FUSE)

Batteries
2x17Ah

Fuse module:

2x AWZ580
LB8/8x0,3A/FTA (GLASS FUSE) or 2x AWZ577
LB8/8x0,3A/PTC (POLYMER FUSE)



HPSB series power supply unit - multi-output 5V÷18V/2A÷1,3A

Buffer, switch mode power supply unit HPSB 27,6V/3x5V÷18V/

3x2A÷1,3A/2x17Ah



EN/I

Features:

Buffer PSU, switched-mode, without a microprocessor-based operating control, multi-output, with 3x2A÷1.3A /3x5V÷18V outputs, fitting 2x17Ah batteries.

Description:

Mounting the DCDC20 voltage converter - 3 pcs - which is intended for lowering the voltage from 27,6V into 5V÷18V inside the HPSB5524C (27,6V/5A/2x17Ah) PSU, it is possible to configure a 3x2A÷1.3A/3x5V÷18V buffer PSU with a buffering function (2x17Ah).

In order to configure the PSU, one must buy and install:

Code:

1. HPSB5524C
2. 3xDCDC20
3. 2x17Ah

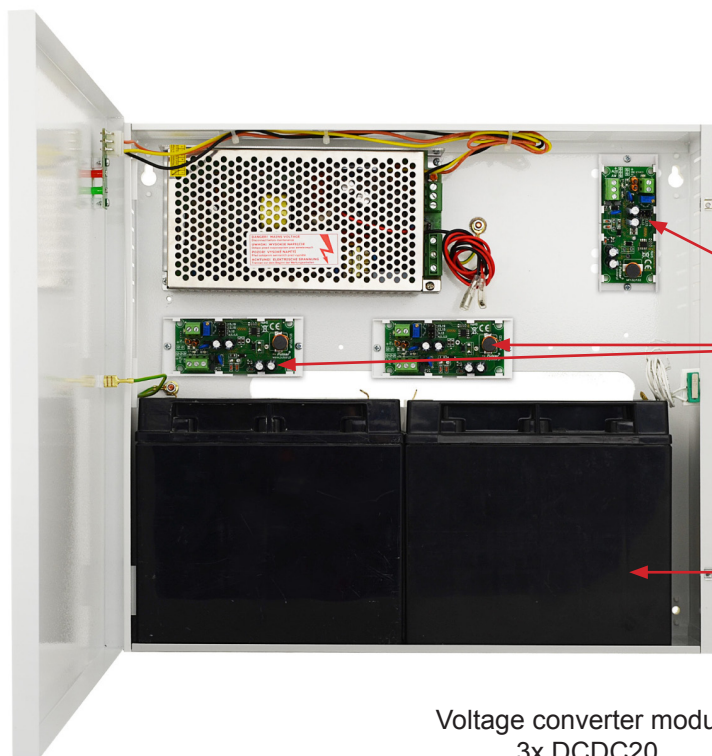
Name:

- 27,6V/5A/2x17Ah buffer, switch mode power supply unit
- DCDC/2A voltage converter module
- Batteries 2x17Ah

Intended use:

The PSU can be applied for supplying devices that require voltage within the range of 3x5V÷18V/3x2A÷1,3A, with a buffering function (2x17Ah).

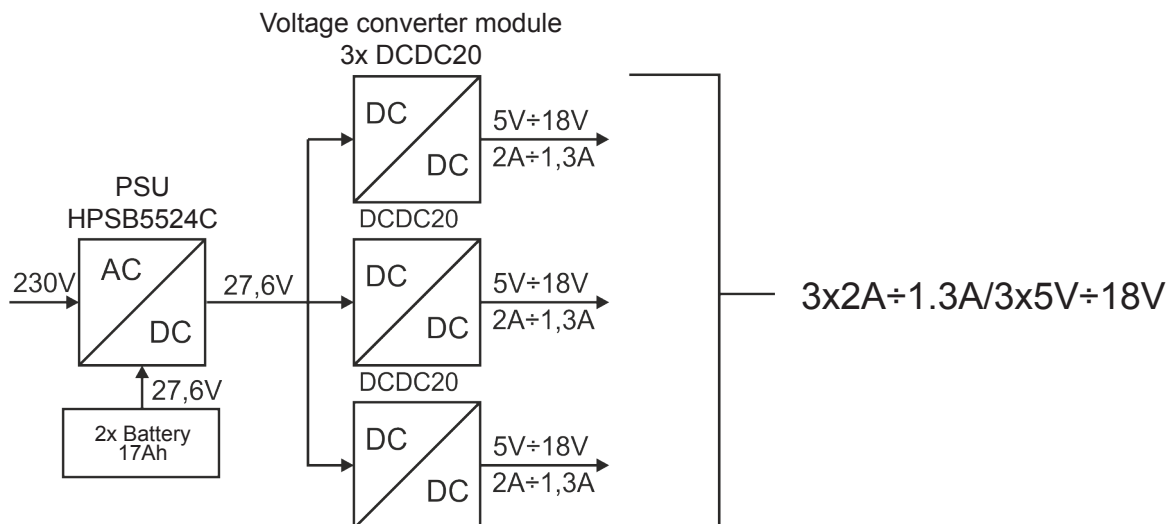
Picture and block diagram:



PSU
HPSB5524C

Voltage converter module
3x DCDC20 (5V÷18V/2A÷1,3A)
(reduces voltage from 27,6V into 5V÷18V)

Batteries
2x17Ah



HPSB series power supply unit - multi-output 5V÷18V/2A÷1,3A

Buffer, switch mode power supply unit HPSB 27,6V/3x5V÷18V/

3x2A÷1,3A/12x0,5A/2x17Ah



EN/I

Features:

Buffer PSU, switched-mode, without a microprocessor-based operating control, multi-output, with 12x0,5A/3x5V÷18V outputs, fitting 2x17Ah batteries.

Description:

Mounting the DCDC20 voltage converter - 3 pcs - which is intended for lowering the voltage from 27,6V into 5V ÷ 18V and the AWZ576 LB4 4x0,5A (GLASS FUSE) - 3 pcs - or AWZ574 LB4 4x0,5A (POLYMER FUSE) fuse module - 3 pcs - inside the HPSB5524C (27,6V/5A/2x17Ah) PSU, it is possible to configure a 12x0,5A/3x5V÷18V buffer PSU with a buffering function (2x17Ah).

In order to configure the PSU, one must buy and install:

Code:

1. HPSB5524C
2. 3x DCDC20
3. 3x AWZ576
or
4. 3x AWZ574
5. 2x17Ah

Name:

- 27,6V/5A/2x17Ah buffer, switch mode power supply unit
 DCDC/2A voltage converter module
 LB4/0,3-1,0A/FTA fuse module (GLASS FUSE)
 or
 LB4/0,5A/PTC fuse module (POLYMER FUSE)
 Batteries 2x17Ah

12x 0,5A/5V÷18V

Intended use:

The PSU can be applied for supplying devices that require voltage within the range of 3x5V÷18V/12x0,5A, with a buffering function (2x17Ah).

Picture and block diagram:



PSU
HPSB5524C

Voltage converter module
3x DCDC20 (5V÷18V/2A÷1,3A)
(reduces voltage from 27,6V into 5V÷18V)

Fuse module
3x AWZ576 LB4 4x0,5A FTA (GLASS FUSE)
or
3x AWZ574 LB4 4x0,5A PTC (POLYMER FUSE)

Batteries
2x17Ah

