



HPSB 5524C

v.1.0

HPSB 27,6V/5A/2x17Ah

Buffer, switch mode power supply unit.

EN*

Edition: 7 from 11.08.2014

Supersedes edition: 6 from 05.06.2014

GREEN POWER



Features:

- DC 27,6V/5A uninterruptible power supply*
- fitting battery: 2x17Ah/12V
- wide range of mains supply: 176÷264V
- high efficiency 83%
- battery charging and maintenance control
- excessive discharging (UVP) protection
- jumper selectable battery charge current 0,5A/2A
- battery output full protection against short-circuit and reverse polarity connection
- LED indication
- protections:
 - SCP short-circuit protection
 - OVP overvoltage protection
 - overvoltage protection (AC input)
 - against sabotage
 - overload protection (OLP)
- warranty – 2 year from the production date

CONTENTS:

1. Technical description.

- 1.1 General description
- 1.2 Block diagram
- 1.3 Description of PSU components and connectors.
- 1.4 Specifications

2. Installation.

- 2.1 Requirements
- 2.2 Installation procedure

3. Operating status indication.

- 3.1 LED indication of operating status

4. Operation and use.

- 4.1 Overload or short circuit of the PSU output (SCP on)
- 4.2 Disconnection of discharged battery
- 4.3 Maintenance

1. Technical description.

1.1 General description.

A buffer PSU is intended for an uninterrupted supply to devices requiring stabilised voltage of **24V DC (+/-15%)**. The PSU provides voltage of **U=27,6V DC**. Current efficiency:

1. Output current 5A + 0,5A battery charge*

2. Output current 3,5A + 2A battery charge*

Total device current + battery: 5,5A max .

In case of power decay, a battery back-up is activated immediately. The PSU is constructed based on the switch mode PSU, with high energy efficiency. The PSU is housed in a metal enclosure (colour RAL 9003) which can accommodate two 17Ah/12V batteries. A micro switch indicates door opening (front cover).

OPTIONAL POWER SUPPLY CONFIGURATIONS:

(visualisation available at: www.pulsar.pl)

1. Buffer power supply unit HPSB 27,6V/5x1A/2x17Ah.

- HPSB5524C + LB8 5x1A (AWZ579 or AWZ580) + 2x17Ah

2. Buffer power supply unit HPSB 27,6V/10x0,5A/2x17Ah.

- HPSB5524C + 2xLB8 10x0,5A (AWZ578 or AWZ580) + 2x17Ah

3. Buffer power supply unit HPSB 27,6V/16x0,3A/2x17Ah.

- HPSB5524C + 2xLB8 16x0,3A (AWZ577 or AWZ580) + 2x17Ah

4. Buffer power supply unit HPSB 27,6V/2x24V/2x2,5A/2x17Ah.

- HPSB5524C + 2 x RN25024(27,6V/24V) + 2x17Ah

5. Buffer power supply unit HPSB 27,6V/2x24V/8x0,5A/2x17Ah.

- HPSB5524C + 2 x RN25024(27,6V/24V) + 2xLB4 8x0,5A (AWZ574 or AWZ576) + 2x17Ah

* Refer to chart 1

6. Buffer power supply unit HPSB 27,6V/2x24V/10x0,5A/2x17Ah.

- HPSB5524C + 2 x RN25024(27,6V/24V) + 2xLB8 10x0,5A (AWZ578 or AWZ580) + 2x17Ah

7. Buffer power supply unit HPSB 27,6V/2x24V/16x0,3A/2x17Ah.

- HPSB5524C + 2 x RN25024(27,6V/24V) + 2xLB8 16x0,3A (AWZ577 or AWZ580) + 2x17Ah

8. Buffer power supply unit HPSB 27,6V/3x5V÷18V/3x2A÷1,3A/2x17Ah.

- HPSB5524C + 3xDCDC20 (3x5V÷18V) + 2x17Ah

9. Buffer power supply unit HPSB 27,6V/3x5V÷18V/3x2A÷1,3A/12x0,5A/2x17Ah.

- HPSB5524C + 3xDCDC20 (3x5V÷18V) + 3xLB4 12x0,5A (AWZ574 or AWZ576) + 2x17Ah

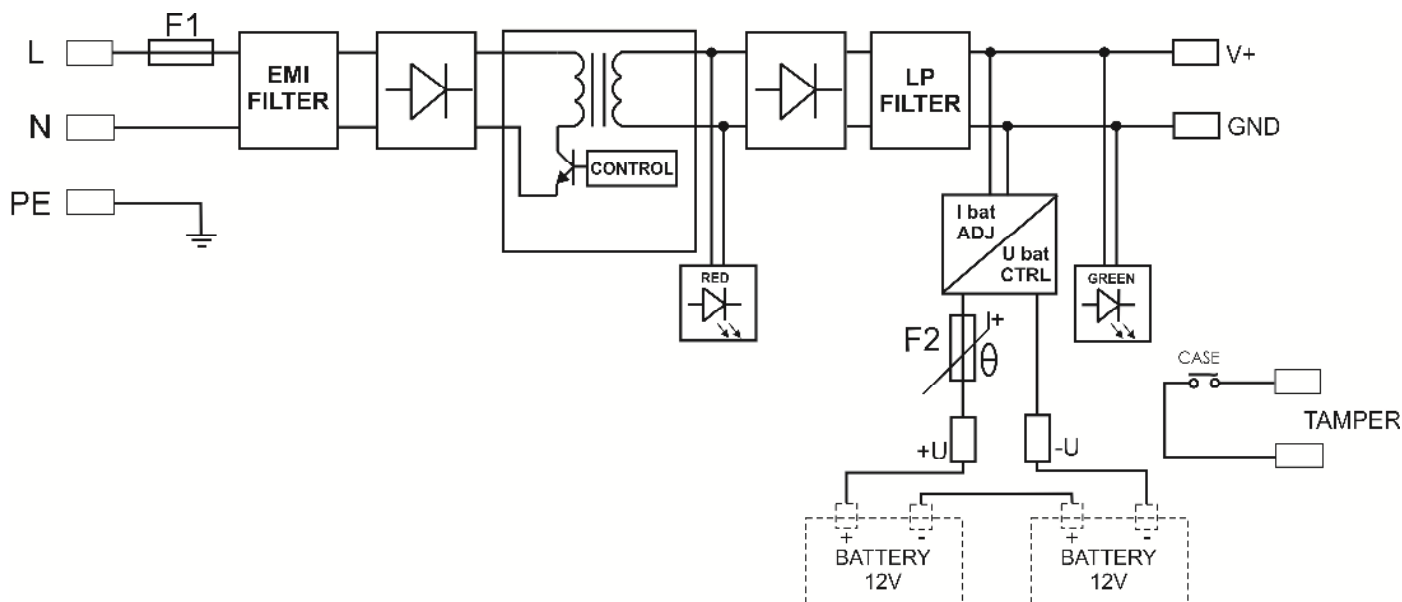
1.2 Block diagram (fig.1)

Fig.1. The block diagram of the PSU.

1.3 Description of PSU components and connectors (tab.1, tab.2, fig.2).

Element no. [Fig. 2]	Description
[1]	PSU module
[2]	connectors (see: tab.2)
[3]	green LED indicates AC power
[4]	potentiometer, output voltage adjustment
[5]	BAT+/GND: battery outputs + BAT=red, - GND=black
[6]	TAMPER, contact of sabotage protection (NC)
[7]	Additional connector for LED indication
[8]	Selection jumper for charging current: <input type="checkbox"/> Ibat =0,5A <input type="checkbox"/> Ibat =2A Legend: <input checked="" type="checkbox"/> jumper installed, <input type="checkbox"/> jumper removed. Factory settings: Ibat =0,5A (jumper installed).

Tab.1. The components of the PSU.

Element [Fig. 2]	Description
L, N	L-N power supply connector
PE	Protection connector (electric shock protection)
V+	DC supply output
V-	DC supply output (GND)

Tab.2. Output terminals of the PSU.

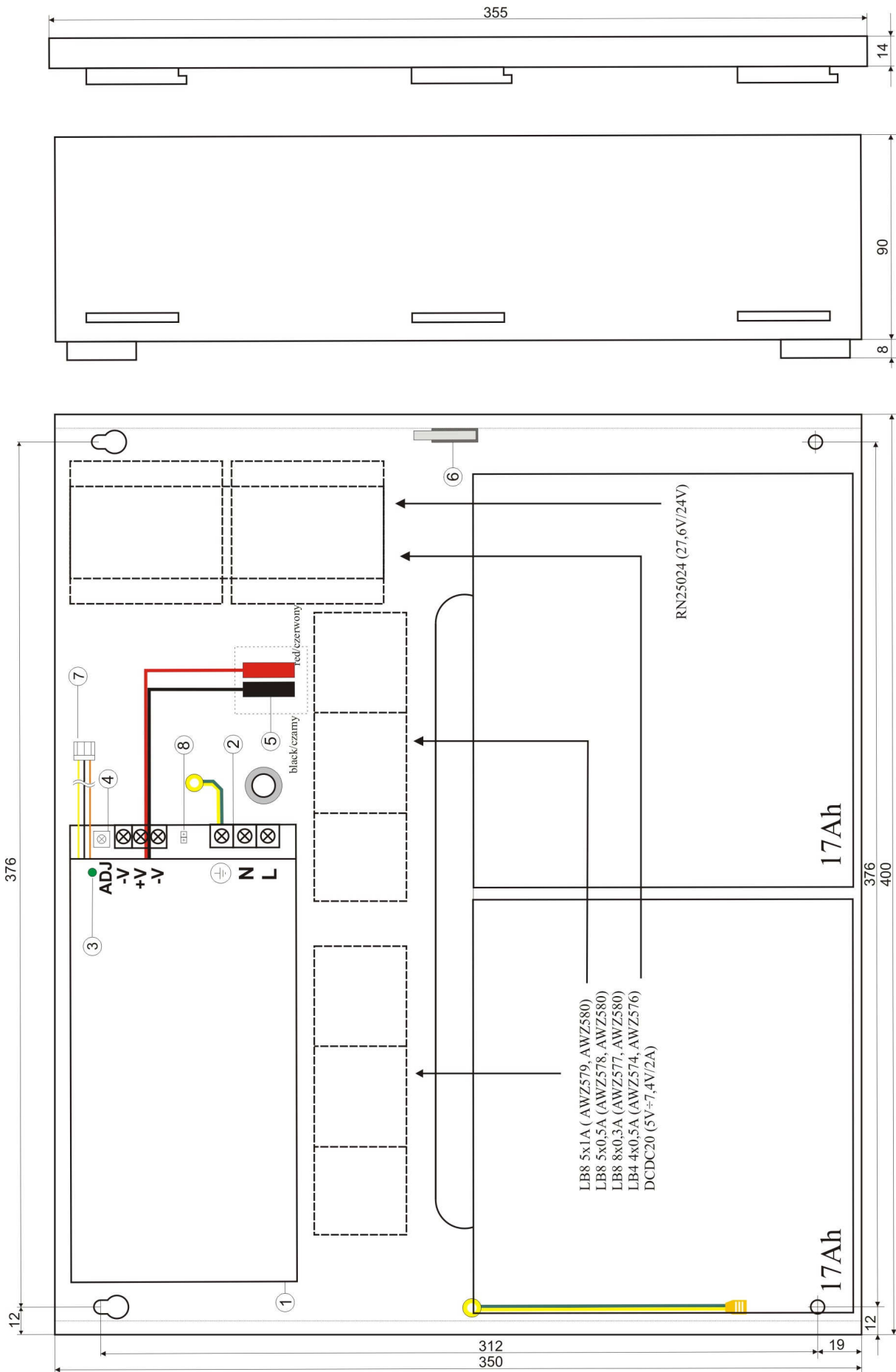


Fig.2. The view of the PSU.

1.4 Specifications:

- electrical parameters (tab.3)
- mechanical parameters (tab.4)
- operation safety (tab.5)
- operating parameters (tab.6)

Electrical parameters (tab. 3).

PSU type	A (EPS - External Power Source)
Mains supply	176÷264V AC
Current up to	1.4A@230VAC
Power frequency	50÷60Hz
Supply power	155W max.
Efficiency	83%
Output voltage	27,6V DC – buffer operation 19V÷27,6V DC – battery-assisted operation
Output current $t_{AMB}<30^{\circ}C$	5A + 0,5A battery charge - refer to chart 1 3,5A + 2A battery charge - refer to chart 1
Output current $t_{AMB}=40^{\circ}C$	3,3A + 0,5A battery charge - refer to chart 1 1,8A + 2A battery charge - refer to chart 1
Voltage adjustment range	24÷28V DC
Ripple	150mV p-p max.
Battery charge current	0,5A/2A max. @ 2x17Ah ($\pm 5\%$) - jumper selectable
Short-circuit protection SCP	electronic, automatic return
Overload protection OLP	105-150% of the PSU power, automatic return
Battery circuit protection SCP and reverse polarity connection	PTC polymer fuse
Surge protection	varistors
Overvoltage protection OVP	>32V (activation requires disconnecting the load or supply for about 20 s.)
Excessive discharge protection UVP	$U < 19V (\pm 5\%)$ – disconnect of connection battery
Sabotage protection: - TAMPER indicates enclosure opening	- microswitch, NC contacts (enclosure closed), 0,5A@50V DC (max.)
LED indication: - AC diode indicating AC power status - AUX diode indicating DC power status at the PSU output	- red, normal status – on, failure: off - green, normal status – on, failure: off

Mechanical parameters (tab. 4).

Enclosure dimensions	400 x 350 x 90+8 [mm] (WxHxD)
Fixation	see figure 2
Fitting battery	2x17Ah/12V (SLA) max. 360 x 170 x 85mm (WxHxD) max
Net/gross weight	3,5 / 3,8 kg
Enclosure	Steel plate DC01, thickness: 0,7mm, colour: RAL 9003
Closing	Cheese head screw x 2 (at the front), lock assembly possible
Connectors	Power-supply: $\Phi 0,63-2,50$ (AWG 22-10) Outputs: $\Phi 0,63-2,50$ (AWG 22-10), battery output BAT: 6,3F-2,5 TAMPER output: wires
Notes	The enclosure does not touch the assembly surface so that cables can be led. Convictional cooling.

**Operation safety (tab.5).**

Protection class PN-EN 60950-1:2007	I (first)
Protection grade PN-EN 60529: 2002 (U)	IP20
Electrical strength of insulation: - between input and output circuits of the PSU (I/P-O/P) - between input circuit and PE protection circuit (I/P-FG) - between output circuit and PE protection circuit (O/P-FG)	3000 V/AC min. 1500 V/AC min. 500 V/AC min.
Insulation resistance: - between input circuit and output or protection circuit	100 M Ω , 500V/DC

Operating parameters (tab.6).

Operating temperature	-10°C...+40°C (see: chart 1)
Storage temperature	-20°C...+60°C
Relative humidity	20%...90%, without condensation
Vibrations during operation	unacceptable
Impulse waves during operation	unacceptable
Direct insulation	unacceptable
Vibrations and impulse waves during transport	According to PN-83/T-42106

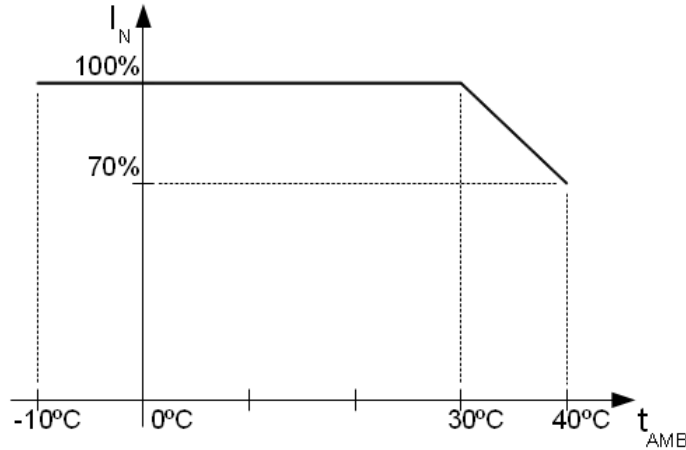


Chart 1. Acceptable output current from the PSU depending on ambient temperature.

2. Installation.

2.1 Requirements.

The buffer PSU shall be mounted by a qualified installer with appropriate permissions and qualifications for 230V/AC installations and low-voltage installations (required and necessary for a given country). The device shall be mounted in confined spaces, according to the environment class II, with normal air humidity (RH=90% max. without condensation) and the temperature from -10°C to +40°C. The PSU shall work in a vertical position that guarantees sufficient convective air-flow through ventilating holes of the enclosure.

Before installation, prepare a PSU load balance.

- 1. Output current 5A + 0,5A battery charge***
- 2. Output current 3,5A + 2A battery charge***
- Total device current + battery: 5,5A max .**

As the PSU is designed for a continuous operation and is not equipped with a power-switch, therefore an appropriate overload protection shall be guaranteed in the power supply circuit. Moreover, the user shall be informed about the method of unplugging (usually through assigning an appropriate fuse in the fuse-box). The electrical system shall follow valid standards and regulations.

2.2 Installation procedure.

- 1. Before installation, cut off the voltage in the 230V power-supply circuit.**
- 2. Mount the PSU in a selected location and connect the wires.
- 3. Connect the power cables (~230Vac) to L-N clips of the PSU. Connect the ground wire to the clip marked by the earth symbol PE (PSU module connector). Use a three-core cable (with a yellow and green PE protection wire) to make the connection. Lead the cables to the appropriate clips through the insulating bushing of the connection board.

* Refer to chart 1



The shock protection circuit shall be performed with a particular care, i.e. the yellow and green wire coat of the power cable shall stick to one side of the terminal - marked with

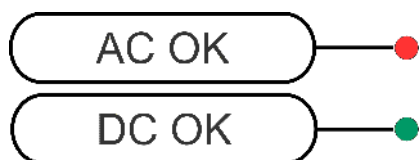
⚡ symbol on the PSU enclosure. Operation of the PSU without the properly made and fully operational shock protection circuit is **UNACCEPTABLE!** It can cause a device failure or an electric shock.

4. Connect the receivers' cables to the terminals V+ (+), V-(-) of the PSU module.
5. Connect the power (~230V)
6. Connect the battery (mind the colours):
 - battery output (+V): BAT+ cable / red,
 - battery output (0V): BAT – cable / GND / black.
7. Check the PSU operation indicator: green LED.
8. Check the PSU output voltage:
 - the PSU voltage without load should amount to $U=27,6V$ DC.
9. After installing and checking proper working, the enclosure can be closed.

3. Operating status indication.

3.1 LED indication of operating status.

The PSU is equipped with two diodes on the front panel:



RED LED:

- on – the PSU is supplied with 230V AC
- off – no 230V AC supply

GREEN LED:

- on – DC voltage in the AUX output of the PSU
- off – no DC voltage in the AUX output of the PSU

4. Operation and use.

4.1 Overload or short circuit of the PSU output (SCP on)

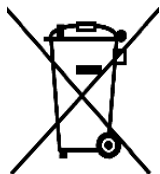
In case of overload, the output voltage is automatically shut off, and so is the LED indicator. The restoration of the voltage takes place immediately after the failure (overload) is over.

4.2 Disconnection of discharged battery.

The PSU is equipped with the discharged battery disconnection system. During the battery-assisted operation, reducing voltage below 19V at the battery terminals will cause battery disconnection.

4.3 Maintenance.

Any and all maintenance operations may be performed following the disconnection of the PSU from the power supply network. The PSU does not require performing any specific maintenance measures, however, in case of significant dust rate, its interior is recommended to be cleaned with compressed air. In case of fuse replacement, use a replacement of the same parameters.

**WEEE MARK**

According to the EU WEE Directive – It is required not to dispose of electric or electronic waste as unsorted municipal waste and to collect such WEEE separately.

The power supply unit is adapted for a sealed lead-acid battery (SLA). After the operation period it must not be disposed of but recycled according to the applicable law.

GENERAL WARRANTY CONDITIONS

1. Pulsar K. Bogusz Sp.j. (the manufacturer) grants a two-years warranty for the equipment, counted from the device's production date.
2. The warranty includes free-of-charge repair or replacement with an appropriate equivalent (the selection is at the manufacturer's discretion) if the malfunction is due to the manufacturer, includes manufacturing or material defects, unless such defects have been reported within the warranty period (item 1).
3. The equipment subject to warranty is to be brought to the place where it was purchased, or directly to the main office of the manufacturer.
4. The warranty applies to complete equipment, accompanied by a properly filled warranty claim with a description of the defect.
5. Should the claim be accepted, the manufacturer is obliged to provide warranty repairs, at the earliest convenience, however not later than within 14 days from the delivery to the service centre of the manufacturer.
6. The repair period mentioned in item 5 may be prolonged, if there are no technical possibilities to carry out the repairs, or if the equipment has been conditionally accepted, due to the breaking warranty terms by the claimant.
7. All the services rendered by force of the warranty are carried out at the service centre of the manufacturer, exclusively.
8. The warranty does not cover the defects of the equipment, resulting from:
 - reasons beyond the manufacturer's control,
 - mechanical damage,
 - improper storage and transport,
 - use that violates the operation manual or equipment's intended use
 - fortuitous events, including lightning discharges, power failures, fire, flood, high temperatures and chemical agents,
 - improper installation and configuration (in defiance with the manual),
9. The warranty is void in any of the following circumstances:
 - construction changes
 - repairs carried out by any unauthorized service center
 - damage or removal of warranty labels
 - modifications of the serial number
10. The liability of the manufacturer towards the buyer is limited to the value of the equipment, determined according to the wholesale prices suggested by the manufacturer on the day of purchase.
11. The manufacturer takes no responsibility for the defects that result from:
 - the damaging, malfunctioning or inability to operate the equipment
 - defects that result from using the equipment outside its stated specifications and operating parameters failing to abide by the recommendations and requirements contained in the manual, or the use of the equipment.

Pulsar K.Bogusz Sp.j.

Siedlec 150, 32-744 Łączycza, Poland
Tel. (+48) 14-610-19-40, Fax. (+48) 14-610-19-50
e-mail: biuro@pulsar.pl, sales@pulsar.pl
http:// www.pulsar.pl, www.zasilacze.pl