

# IB200

## I-BUS ISOLATORS



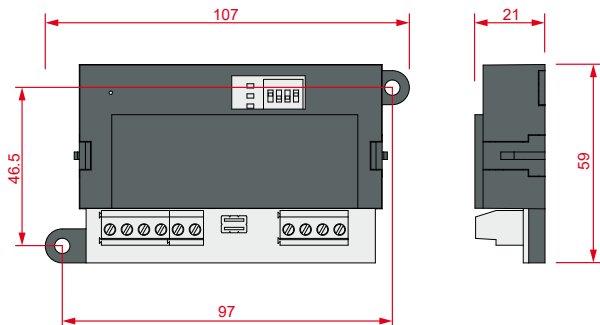
The BUS is the “backbone” of the system. It transmits all the data from the control panel to the peripherals and vice versa, therefore, maximum reliability is always required. To help installers achieve this goal, INIM offers several BUS isolator versions.

In the IB200/P and IB200/U versions, the isolator protects and regenerates the BUS data signals. In the IB200/A version, the isolator protects and regenerates the BUS data signals and the power supply.

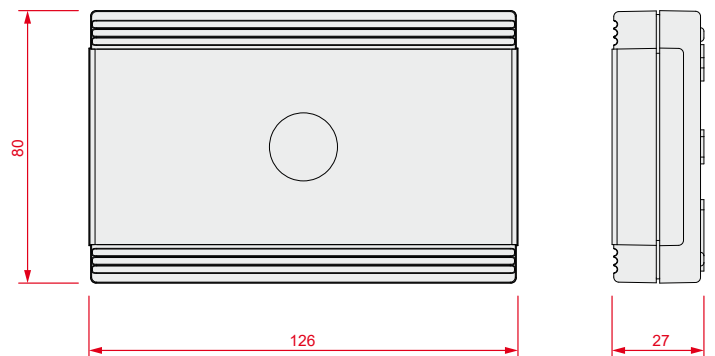
The isolator allows the confinement of problems caused by malfunction on a downstream branch to that branch only, thus not allowing malfunctions to affect the upstream branch. The isolator also makes it possible to extend the BUS length thanks to the signal regeneration function.

The IB200/A is very useful when it is necessary to protect peripheral devices located in unprotected areas against vandalism. If a device is damaged and BUS functionality is compromised, the isolator, once properly installed within the protected area, will guarantee the proper functioning of the rest of the system.

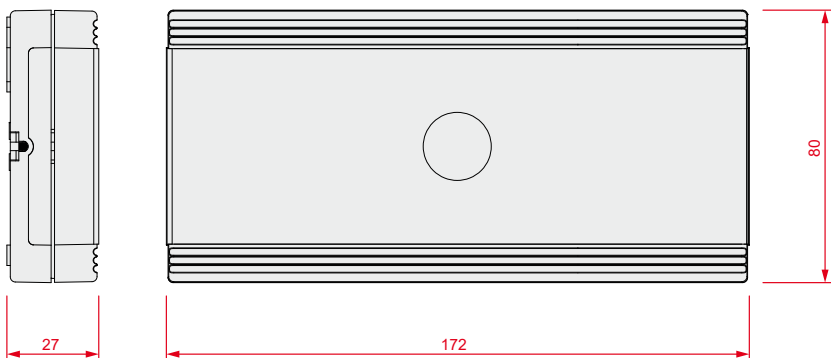
IB200/U - dimensions



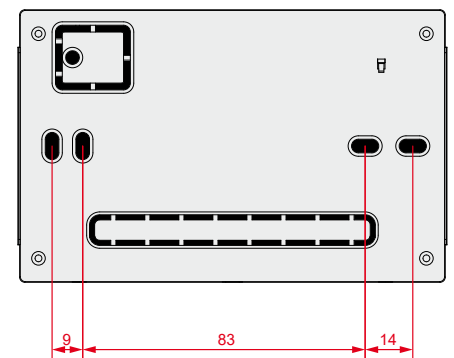
IB200/P - dimensions



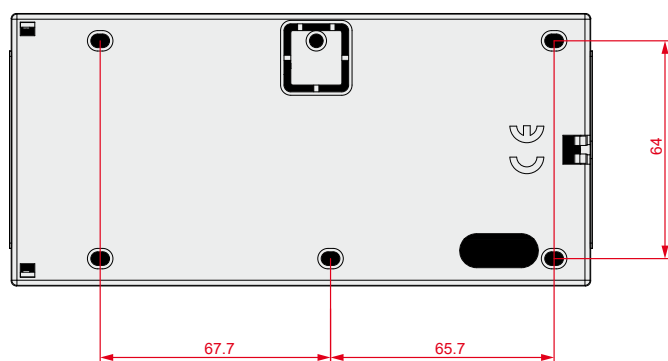
IB200/A - dimensions



IB200/P - back



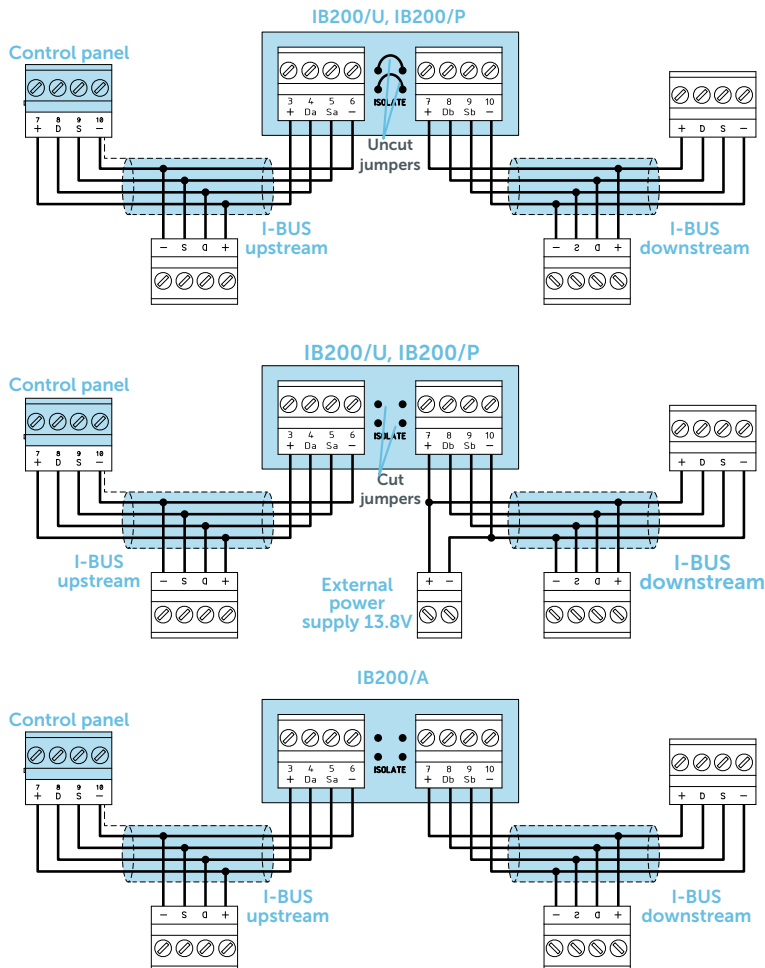
IB200/A - back



## Main features

	IB200/U	IB200/P	IB200/A
Galvanic isolation of data (D, S)	Yes	Yes	Yes
Regeneration of data signals (D, S)	Yes	Yes	Yes
Tamper signalling	-	Yes	Yes
I-BUS analysis function	Yes	Yes	Yes
Address programming	Yes	Yes	Yes
Galvanic supply isolation (+, -)	Configurable	Configurable	Yes
Regeneration of BUS supply voltage	-	-	Yes
Input voltage	from 9.5 to 15V $\overline{DC}$		
Output voltage	-	-	13.8V $\overline{DC}$
Maximum output current	-	-	1A
Typical absorption	110mA	110mA	130mA
Maximum absorption from control panel	-	-	1.8A @ 9.5V $\overline{in}$ 1.4A @ 12V $\overline{in}$ 1.2A @ 13.8V $\overline{in}$
Dimensions	107x59x21mm	126x80x27mm	172x80x27mm
Weight	60 gr	100g	170g

## CONNECTION DIAGRAMS



BUS speed	Cable length downstream of the isolator	Maximum number of cascaded isolators
38.4kbps	500m	9
125kbps	350m	6
250kbps	200m	2

## ORDER CODES

**IB200/U:** BUS isolator with data regeneration and on-view terminals

**IB200/P:** BUS isolator with data regeneration and tamper protection

**IB200/A:** BUS isolator with data and power regeneration and tamper protection