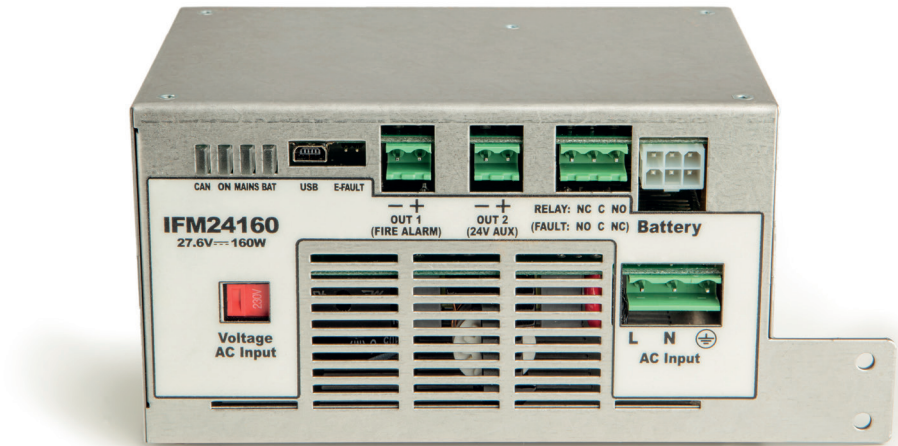


IFM24160

Internal power-supply module



The IFM24160 internal module supplies and distributes power through the CAN drive connection bar and through the two outputs, OUT 1 and OUT 2.

Possibility to select the EOL resistor values.

Previdia Max or Previdia Ultra control panels are capable of managing up to 4 IFM24160 modules, one per PRCAB cabinet.

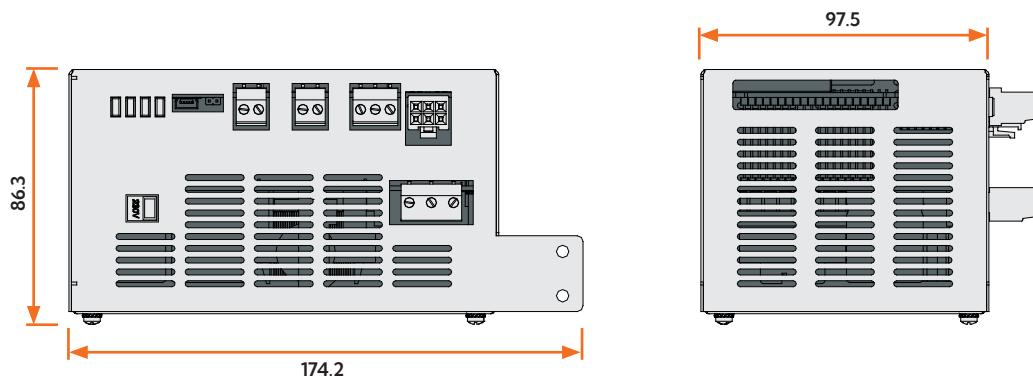
HARDWARE FEATURES

- CPU dedicated to the control of the module and communication with the control-panel FPMCPU module
- 4 status LEDs
- Mini USB port
- 1 programmable relay
- 2 programmable supervised outputs
- Input voltage selector (230V / 115V)

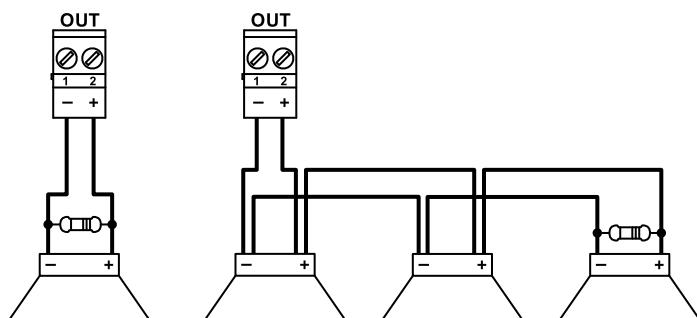
TECHNICAL SPECIFICATIONS

- Power supply voltage: 230 / 115 V~ (+10% -15%) 50/60 Hz
- Maximum current draw from mains: 1.1A @ 230V, 2A @ 115V
- Output voltage: 27.6V
- Maximum available current: 5.2A
- I_{max a} and I_{max b} (EN54-4 compliant): 4A
- Batteries: 2 x 12V 24Ah or 2 x 12V 17Ah
- Battery charger: 1.2A
- Maximum internal resistance of battery: 10Ω
- Battery release voltage: 19.5V
- Operating temperature: from -5°C to +40°C
- Insulation class: I
- Consumption @ 27.6V: stand-by 20mA, maximum 40mA
- Maximum voltage on OUT1: 1.5A @ 27.6V
- Maximum voltage on OUT2: 1.5A @ 27.6V
- Maximum voltage on RELAY: 5A @ 30V

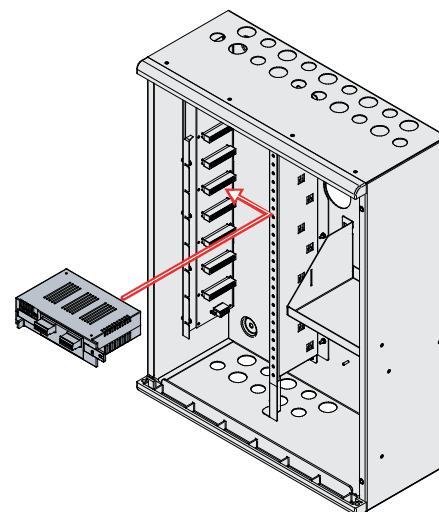
DIMENSIONS



WIRING DIAGRAM



INSTALLATION



PACKAGE CONTENTS

- Package dimensions: 9 x 11 x 18.5 cm
- Weight: 1000g

ORDER CODE

IFM24160 4A internal power-supply module for Previdia Max and Previdia Ultra control panels