

MICRO XL

CHAIN ACTUATOR

OPENING STROKE SIZES

420 mm - 600 mm - 835 mm (24V DC only)

PUSH FORCE

400 N (835 mm version = 200N)

VOLTAGE

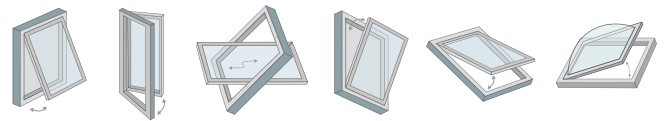
230V AC - 24V DC



DESCRIPTION

MICRO XL electric actuator with reinforced double-sprocket chain inside the actuator body. Operating voltage: 230V~ 50 Hz in conformity with Directives 2006/95 LVD - 2004/108 EMC. Operating voltage: 24V DC in conformity with Directive 2004/108 EMC. Tested in accordance with the requirements of the European Standard EN 12101 - 2. Outfitted with electronic limit switch system for opening and closing. It can be connected in parallel. Standard colours: Silver Anodised, Black Anodised or White RAL 9003. Opening strokes available: 420 mm, 600 mm or 835 mm (24V DC only). Fixing brackets sold separately.

WINDOW TYPES



APPLICATION



COLOURS

- Black Anodised
- Silver Anodised
- White RAL 9003
- ⊗ Custom RAL colour

CERTIFICATION

Certified and tested in accordance to EN 12101-2



TECHNICAL DATA

	230V AC	24V DC (+/- 10%)
Voltage	230V AC	24V DC (+/- 10%)
Push Force	400 N	400 N
Pull Force	400 N	400 N (835 mm = 200 N)
Opening Stroke	420 or 600 mm	420, 600 or 835 mm
Opening Speed	22 mm/s	17 mm/s
Current Consumption	0.7 A	2.0 A
Operating Conditions	-10°C - +40°C	-10°C - +40°C
Switch-on Duration	S2 4 min	S2 4 min
Colour	White RAL 9003, Black Anodised, Silver Anodised or custom RAL colour	White RAL 9003, Black Anodised, Silver Anodised or custom RAL colour
IP Rating	IP 22	IP 22
Life Span	10,000 opening and closing movements	10,000 opening and closing movements
Delivery Includes	1 x Actuator (fixing brackets sold separately)	1 x Actuator (fixing brackets sold separately)
Flex Length	1 m	1 m
Cable Dimensions	3-Core & Earth	2-Core
Min. window width	> 594 mm (420 mm stroke) or 784 mm (600 mm stroke)	> 594 mm (420 mm stroke), 784 mm (600 mm stroke) or 1012 mm (835 mm stroke)
Max. window width	< 1300 mm (use multiple actuators if wider)	< 1300 mm (use multiple actuators if wider)
Synchronisation	Yes with SYNCHRO230	No

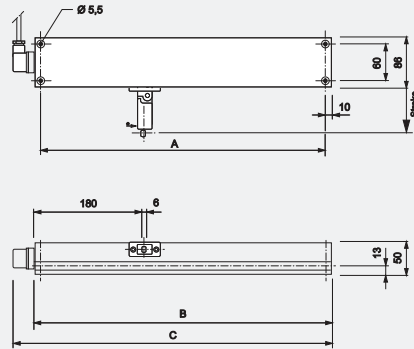
ACCESSORIES

MICROL/XL2700090	-	Outward Opening Bracket Set
MICROXL2700091	-	Inward Opening Bracket Set
MICROXL2700095	-	Small Pivot Bracket

PART CODES

MICROXL230420B	-	MICRO XL Actuator 230 V 420 mm Black
MICROXL230420S	-	MICRO XL Actuator 230 V 420 mm Silver
MICROXL230420W	-	MICRO XL Actuator 230 V 420 mm White
MICROXL230600B	-	MICRO XL Actuator 230 V 600 mm Black
MICROXL230600S	-	MICRO XL Actuator 230 V 600 mm Silver
MICROXL230600W	-	MICRO XL Actuator 230 V 600 mm White
MICROXL24420B	-	MICRO XL Actuator 24 V 420 mm Black
MICROXL24420S	-	MICRO XL Actuator 24 V 420 mm Silver
MICROXL24420W	-	MICRO XL Actuator 24 V 420 mm White
MICROXL24600B	-	MICRO XL Actuator 24 V 600 mm Black
MICROXL24600S	-	MICRO XL Actuator 24 V 600 mm Silver
MICROXL24600W	-	MICRO XL Actuator 24 V 600 mm White
MICROXL24835B	-	MICRO XL Actuator 24 V 835 mm Black
MICROXL24835S	-	MICRO XL Actuator 24 V 835 mm Silver
MICROXL24835W	-	MICRO XL Actuator 24 V 835 mm White

DIMENSIONS



Corsa/Stroke	A	B	C
420	458	478	514
600	553	573	609
835	667	687	723

CONTROLS

230V AC



S50-1
Rocker Switch



RCU1-KIT
Control Unit (Radio)



EVC
Control Unit & Weather Station



SYNCHRO230
Tandem Control Unit

24V DC (+/- 10%)



WSC 204
Control Unit



WSC 310
Control Unit



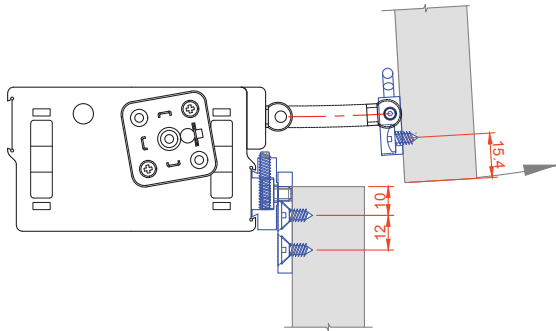
WSC 320
Control Unit



PSU - 2/4/8
24V DC Transformer

**INSTALLATION
EXAMPLES**

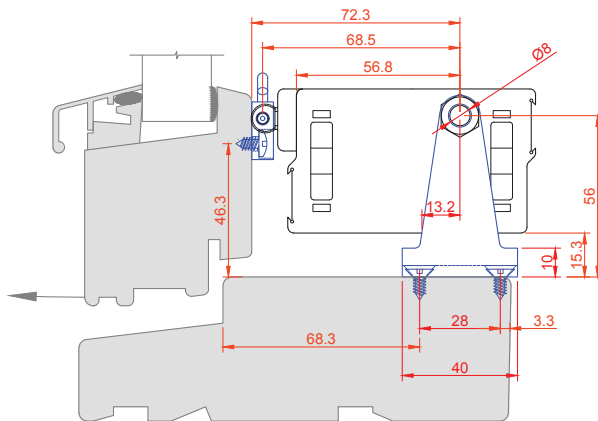
Top-Hung
(Aluminium)



MICROL/XL2700090



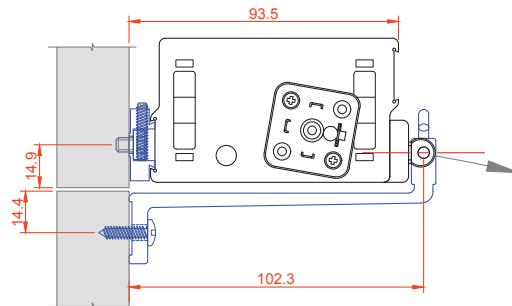
Top-Hung
(Timber)



MICROXL2700095



Inward Opening



MICROXL2700091



