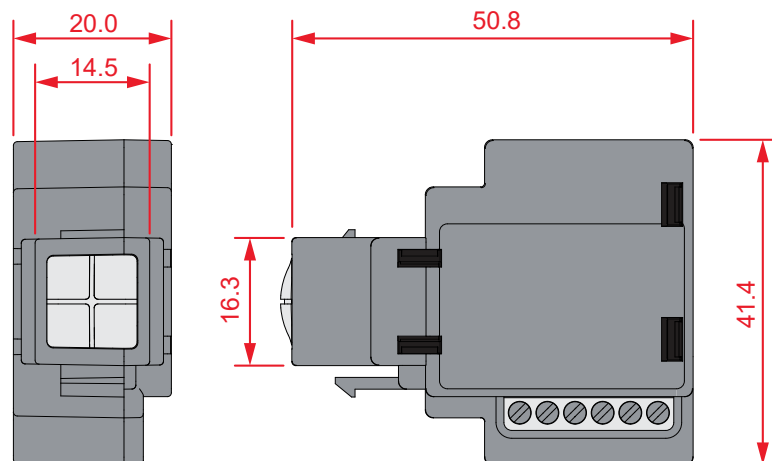




BUS proximity reader for all models of INIM control panels (SmartLiving, Prime, Sol), mounts to domestic series electrical boxes with standard "keystone" coupler.
Equipped with 4 LEDs and an input/output terminal.
Available in a black or white plastic enclosure.

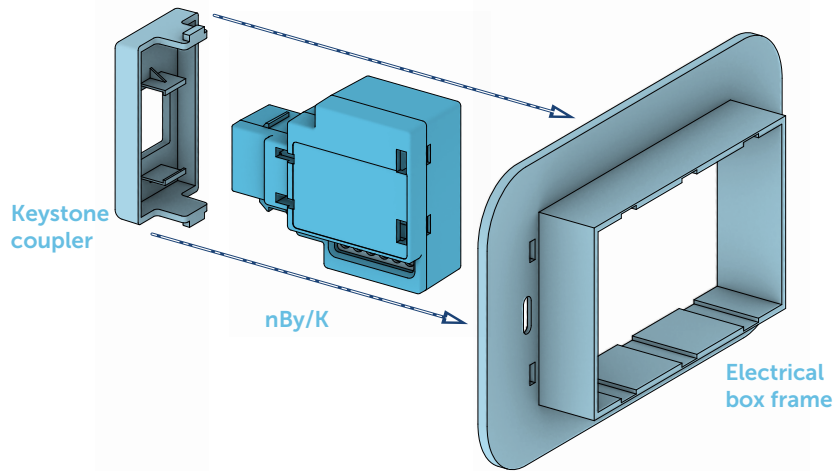
nBy/K - dimensions



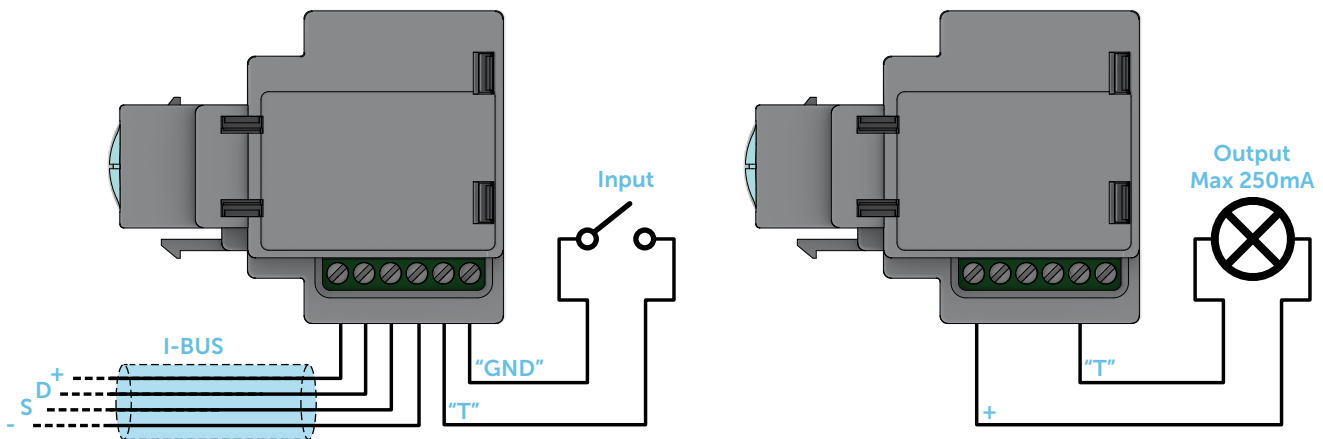
Main features

Voltage	from 9 to 15V $\overline{\text{DC}}$
Current draw	20 mA with no key 50 mA with key
Programmable I/O terminal	1
Maximum absorption on terminal	250 mA
I-BUS interface	Yes
Mounting	Keystone
Dimensions (HxWxD)	42 x 51 x 20 mm
Weight	19 g
Security rating	3
Environmental class	II
Operating temperature	from -10 to +40 °C
Relative humidity	≤ 75% without condensation
Available colours	black or white

MOUNTING



WIRING DIAGRAMS



ORDER CODES

- nBy/KB**: keystone-mount proximity reader. White plastic enclosure.
- nBy/KN**: keystone-mount proximity reader. Black plastic enclosure.
- nKey**: tag for nBy series proximity readers.
- nCard**: card leather for nBy series proximity readers.
- nBoss/N**: tag in black leather for nBy series proximity readers.
- nBoss/R**: tag in red leather for nBy series proximity readers.



Centobuchi, via Dei Lavoratori 10
63076, Monteprandone (AP), ITALY
Tel. +39 0735 705007 _ Fax +39 0735 704912

info@inim.biz _ www.inim.biz

Inim distributor's stamp and signature