

NVX

STAINLESS STEEL FULL HD CAMERA WITH DELUX TECHNOLOGY



delux
technology



NVX

NVX



DESCRIPTION

NVX is an IP FULL HD super low-light camera with high corrosion resistance. This camera incorporates the DELUX imaging and encoding technology for recording incredibly clear colour video day or night.

In particular, thanks to the camera's increased light sensitivity, the DELUX technology can obtain bright images with well-defined colours in very low light conditions – even typical night-time conditions to 0.006 lux (0.0006 lux in black and white).

Videotec's NVX camera is super low-light Day/Night Full HD 1080p, with 30x optical zoom and 60 fps shooting speed. Images can be transmitted via network with H.264/AVC, MPEG4, MJPEG or JPEG compression, and it's possible to have up to 3 simultaneous and independent Full HD video streams.

The NVX external housing is made entirely from AISI 316L stainless steel and has a compact and lightweight design that, along with the quick connectors, helps installation and maintenance.

The modular support for wall, ceiling or parapet mounting is a standard feature.

It is available a version with integrated wiper and a version with polycarbonate window for applications in the food industry.

NVX has exceptional corrosion resistance, a wide operational temperature range and IP66/IP67/IP68/IP69 protection. These features mean it is well suited to marine and industrial areas, motorway tunnels and rail applications.

CERTIFICATIONS



MAIN FEATURES

Made of electro-polished stainless steel AISI 316L

Quick connectors

Camera Full HD 1080p, 30x, 60fps

Minimum Illumination:

- Colour: 0.006lx

- B/W: 0.0006lx

Video compression H.264/AVC, MJPEG, JPEG and MPEG4

Complies with ONVIF, Profile S and Profile Q

Digitally signed firmware

Complies with ONVIF Security Service specifications

Day/Night (Auto ICR: automatic removal of IR filter)

De-fog function

Up to 3 simultaneous video streams in FULL HD

Version with integrated wiper

1 input for remote reset and 2 relay outputs (version with wiper)

Power supply: 24Vdc/24Vac, PoE+

Tested and certified: from -40°C (-40°F) up to +65°C (149°F)

Built-in modular support

TECHNICAL DATA

GENERAL

Simple installation thanks to quick connectors
Quick configuration and setup

MECHANICAL

AISI 316L stainless steel construction
Slot for safety chain
Unit weight:
4.9kg (10.8lb) (fastening support included)
4kg (8.8lb) (fastening support not included)

ELECTRICAL

Supply voltage/Current consumption:
• 24Vac, 1.32A, 50/60Hz
• 24Vdc, 0.9A
• PoE+ (IEEE 802.3at)
Power consumption: 21W

NETWORK

Ethernet connection: 100 Base-TX
Connector: RJ45

CYBERSECURITY

Digitally signed firmware
Password restricted access (HTTP digest)
Support of various user access levels
Control of accesses IEEE 802.1X
HTTPS cryptography using TLS1.0, TLS1.1, TLS1.2 and TLS1.3
Centralised certificate management
Complies with ONVIF Security Service specifications

VIDEO

Video encoder

- Communication protocol: ONVIF, Profile S and Profile Q
- Device configuration: TCP/IPv4-IPv6, UDP/IPv4-IPv6, HTTP, HTTPS, NTP, DHCP, WS-DISCOVERY, DSCP, IGMP (Multicast), SOAP, DNS
- Streaming: RTSP, RTCP, RTP/IPv4-IPv6, HTTP, Multicast
- Video compression: H.264/AVC, MJPEG, JPEG, MPEG4
- 3 independent video streams Full HD
- Image resolution: from 320x180pixel up to 1920x1080pixel in 6 steps
- Selectable frame rate from 1 to 60 images per second (fps)
- Web Server
- Motion Detection
- QoS: Differentiated DSCPs for streaming and device management

I/O INTERFACE

I/O alarm board (version with wiper)

- Input for remote reset: 1
- Relay outputs: 1+1 (1 relay reserved for washer pump and one configurable, 1A, 30Vac/60Vdc max)

CAMERAS

Day/Night Full HD 30x DeLux

Resolution: Full HD 1080p (1920x1080pixel)
Image Device: 1/2.8" Exmor™ R CMOS sensor
Effective Pixels: approx. 2.38 Megapixels
Minimum Illumination:

- Colour: 0.006lx (F1.6, 30 IRE)
- B/W: 0.0006lx (F1.6, 30 IRE)

Focal length: from 4.5mm (wide) up to 135mm (tele)
Zoom: 30x (480x with digital zoom)
Iris: from F1.6 up to F9.6 (Auto, Manual)
Horizontal Viewing Angle: from 61.6° (wide end) up to 2.50° (tele end)
Vertical Viewing Angle: from 37.07° (wide end) up to 1.44° (tele end)
Shutter speed: from 1/1s up to 1/10000s (Auto, Manual)
White balance: Auto, Manual
Gain: from 0dB up to 36dB (Auto, Manual)
Wide Dynamic Range: 120dB
Focus System: Auto, Manual, Trigger
Picture Effects: E-flip, Color enhancement
Noise removal: 2D (3 levels), 3D (3 levels)
Exposure Control: Auto, Manual, Priority (Iris Priority, Shutter Priority), Brightness, Custom
De-fog: On/Off
Privacy zones masking (maximum 8 settable masks)

ENVIRONMENT

For indoors and outdoors installation
Operating temperature

- Version with 24Vac or 24Vdc power supply: from -40°C (-40°F) up to +65°C (149°F)
- Version with PoE+ power supply: from -40°C (-40°F) up to +60°C (140°F)
- Temperature test complies with NEMA-TS 2-2003 (R2008) par. 2.1.5.1, test profile fig. 2-1 (from -34°C (-29.2°F) to +74°C (165.2°F))

Surge immunity: up to 1kV line to line, up to 2kV line to earth (Class 3)
Relative humidity: from 5% up to 95%

CERTIFICATIONS

Electrical safety (CE): EN60950-1, IEC60950-1, EN62368-1, IEC62368-1
Electromagnetic compatibility (CE): EN61000-6-4, EN50130-4, EN55032 (Class A), FCC Part 15 (Class A), ICES003
Outdoor installation (CE): EN60950-22, IEC60950-22
IP protection degree (EN60529): IP66, IP67, IP68 (2h30min, 2m (6.56ft)), IP69
UL certification: cULus Listed, TYPE 4X, TYPE 6P
EAC certification

CERTIFICATIONS - RAILWAY APPLICATIONS

Compliance to railway application standard: EN50121-4 (only with 24Vac or 24Vdc power supply)

CERTIFICATIONS - MARINE APPLICATIONS

Lloyd's Register Marine Type Approval

- Test Specification Number 1 (ENV1, ENV2, ENV3, ENV5)

Electromagnetic compatibility: EN60945
Salty fog resistance: EN60068-2-52
Tested at 70°C (158°F) for 16 hours in compliance with EN60068-2-2

ACCESSORIES

NVXTUB	Dust protection frontal shield
NVXIRBKT	Illuminator fastening support (GEKO IRH)
OHEPOWINJ	PoE+ Power Injector, 1 channel, for indoor installations
IRHXXHXA	GEKO IRH illuminator, High Power
IRHxxLxA	GEKO IRH illuminator, Low Power
WASPTOV5L5M00	Water tank 5l (1.3gal), pump with delivery up to 5m (16ft), IN 230Vac-24Vac-120Vac
WASPTOV23L5M00	Water tank 23l (6gal), pump with delivery up to 5m (16ft), IN 230Vac-24Vac-120Vac
WASPTOV23L11M00	Water tank 23l (6gal), pump with delivery up to 11m (36ft) with water floating, IN 230Vac-24Vac-120Vac
WASPT1V23L30M00	Water tank 23l (6gal), pump with delivery up to 30m (98ft) with water floating, IN 230Vac
WASPT3V23L30M00	Water tank 23l (6gal), pump with delivery up to 30m (98ft) with water floating, IN 120Vac

WASN1V10L20M00	Tank 10l (2.6gal) with integrated manual pump controlled by solenoid valve, delivery head up to 20m (66ft) max, IN 230Vac
WASN2V10L20M00	Tank 10l (2.6gal) with integrated manual pump controlled by solenoid valve, delivery head up to 20m (66ft) max, IN 24Vac
WASN3V10L20M00	Tank 10l (2.6gal) with integrated manual pump controlled by solenoid valve, delivery head up to 20m (66ft) max, IN 120Vac

BRACKETS AND ADAPTORS

UEAP	Pole adaptor in stainless steel AISI 316L
UEAC	Corner adaptor in stainless steel AISI 316L
UEAW	Counter-plate in stainless steel AISI 316L

PACKAGE

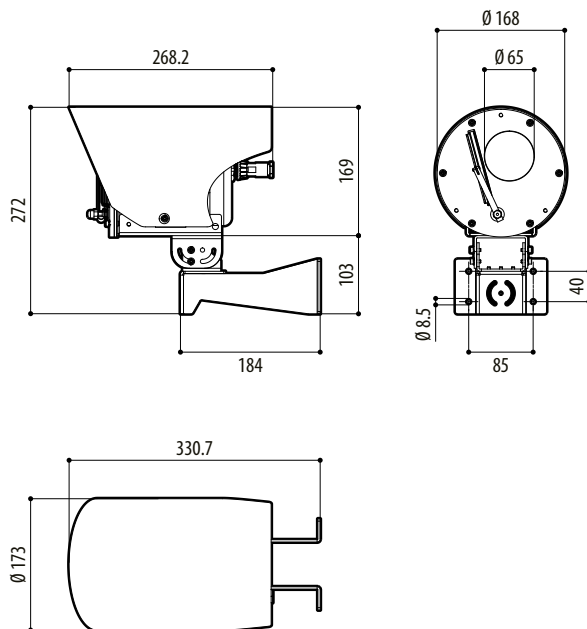
Model Number	Weight	Dimensions (WxHxL)	Master carton
NVX210xxxA	6.2kg (13.7lb)	36x35x23cm (14x14x9in)	-

NVX - CONFIGURATION OPTIONS

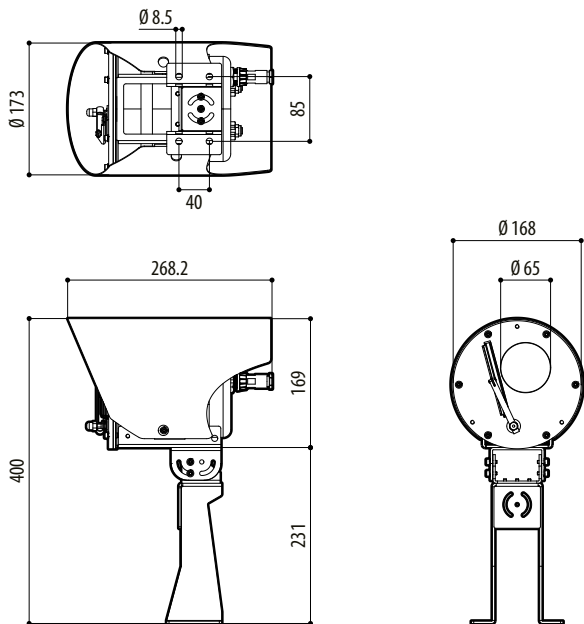
	Voltage	Camera	Versions			Revision
NVX	2 24Vac/24Vdc/PoE+	10 Day/Night camera, optical zoom 30x, 60fps	W With wiper	0	0	A Complies with ONVIF, Profile S and Profile Q
			S Without wiper/Glass window			J Complies with ONVIF, Profile S
			P Without wiper/Polycarbonate window			

TECHNICAL DRAWINGS

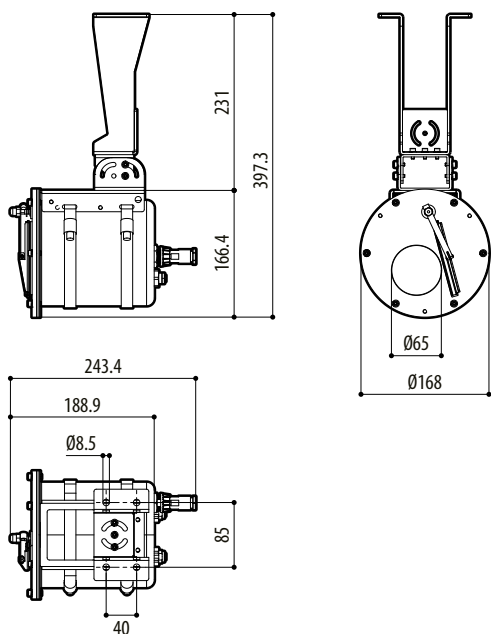
The indicated measurements are expressed in millimetres.



NVX, WALL MOUNTING



NVX, PARAPET MOUNTING



NVX, CEILING MOUNTING