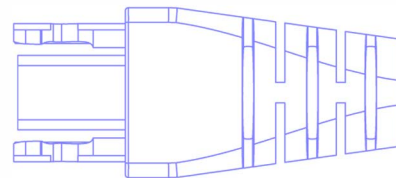
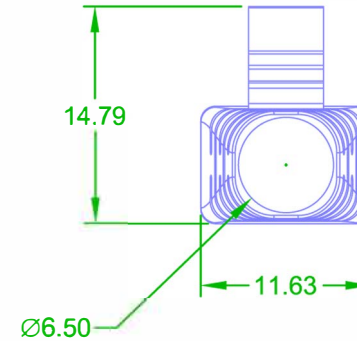
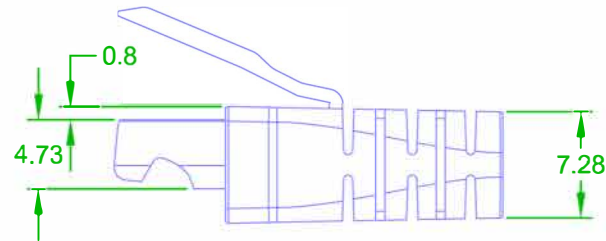
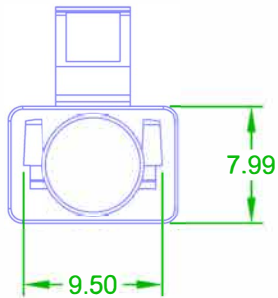
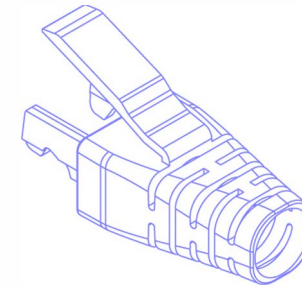
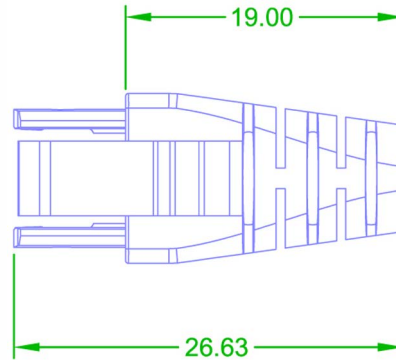


SPEEDY RJ45

ROHS Compliant

Code: PSPDY6



20/04/2021

NOTE TOL: ± 0.1