

# S1 Series

## ELECTROMAGNETIC DOOR HOLDERS WITHOUT RELEASE BUTTON

Electromagnetic door holders for applications where a release button and IP protection are not required.

The 24V powered door holders of the S1 series are available in different models with various holding forces (50, 100, 150 Kg).

Connection on free wires or terminals, supplied with adjustable counterplate for door-leaf opening or with fixed counterplate for sliding doors, in plastic or steel.



### TECHNICAL SPECIFICATIONS

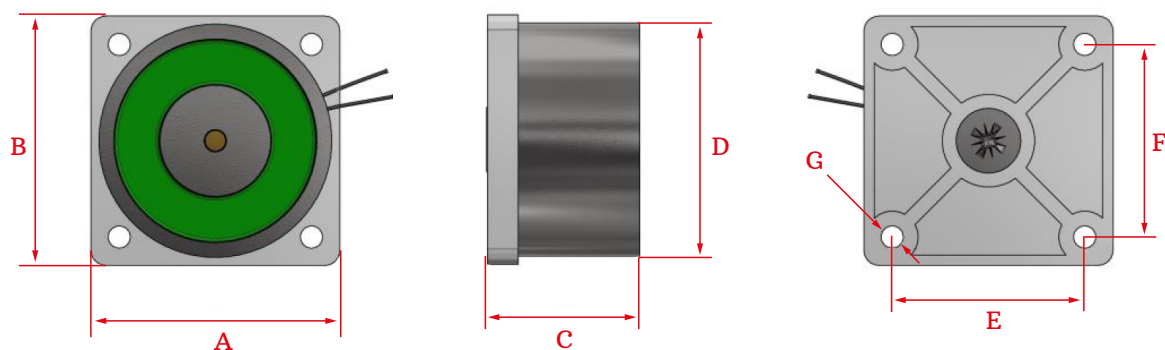
#### Hold open electromagnets

Model	Holding force	Current draw (mA)	Voltage (Vdc)	Terminal/wire	Base material	Door status sensor
S10060_01	500 N / 50 Kg	60	24	Wire	Plastic	No
S10060_02	500 N / 50 Kg	60	24	Wire	Plastic	No
S10110_01	1000 N / 100 Kg	100	24	Wire	Plastic	No
S10110_02	1000 N / 100 Kg	100	24	Wire	Plastic	No
S10140_02	1500 N / 150 Kg	100	24	Wire	Steel	No
S10140_H2	1500 N / 150 Kg	100	24	Wire	Steel	No
S13060_01	500 N / 50 Kg	60	24	Terminal	Plastic	No
S13060_02	500 N / 50 Kg	60	24	Terminal	Plastic	No
S13110_05	1000 N / 100 Kg	100	24	Terminal	Steel	No
S13140_02	1500 N / 150 Kg	100	24	Terminal	Steel	No
S13140_H2	1500 N / 150 Kg	100	24	Terminal	Steel	No

#### Counterplates

Door holder	Model (supplied)	Adjustable	Shock damper	Enclosure material
S10060_01	S01060	Yes	Yes	Plastic
S10060_02	S02060	No	Yes	Plastic
S10110_01	S01110	Yes	Yes	Plastic
S10110_02	S02110	No	Yes	Plastic
S10140_02	S02160	No	Yes	Steel
S10140_H2	SH2160	No	Yes	Steel
S13060_01	S01060	Yes	Yes	Plastic
S13060_02	S02060	No	Yes	Plastic
S13110_05	S05110	No	Yes	Steel
S13140_02	S02160	No	Yes	Steel
S13140_H2	SH2160	No	Yes	Steel

## DIMENSIONS



Model	A	B	C	D	E	F	G
S10060_01	68	68	30	50	52	52	Ø 6
S10060_02	68	68	30	50	52	52	Ø 6
S10110_01	68	68	40	60	52	52	Ø 6
S10110_02	68	68	40	60	52	52	Ø 6
S10140_02	75	75	40	70	60	60	Ø 6
S10140_H2	75	75	40	70	60	60	Ø 6
S13060_01	68	68	30	50	52	52	Ø 6
S13060_02	68	68	30	50	52	52	Ø 6
S13110_05	68	68	40	60	52	52	Ø 6
S13140_02	75	75	40	70	60	60	Ø 6
S13140_H2	75	75	40	70	60	60	Ø 6

Dimensions in mm

## ORDER CODES

**S10060\_01** Door holder with a holding force of 50 Kg  
**S10060\_02** Door holder with a holding force of 50 Kg  
**S10110\_01** Door holder with a holding force of 100 Kg  
**S10110\_02** Door holder with a holding force of 100 Kg  
**S10140\_02** Door holder with a holding force of 150 Kg  
**S10140\_H2** Door holder with a holding force of 150 Kg  
**S13060\_01** Door holder with a holding force of 50 Kg  
**S13060\_02** Door holder with a holding force of 50 Kg  
**S13110\_05** Door holder with a holding force of 100 Kg

**S13140\_02** Door holder with a holding force of 150 Kg  
**S13140\_H2** Door holder with a holding force of 150 Kg  
**S01060** Counterplate for S10060\_01 and S13060\_01 door holders  
**S01110** Counterplate for S10110\_01 door holders  
**S02060** Counterplate for S10110\_02 and S13060\_02 door holders  
**S02110** Counterplate for S10110\_02 door holders  
**S02160** Counterplate for S10140\_02 and S13140\_02 door holders  
**S05110** Counterplate for S13110\_05 door holders  
**SH2160** Counterplate for S10140\_H2 and S13140\_H2 door holders



Centobuchi, via Dei Lavoratori 10  
 63076, Monteprandone (AP), ITALY  
 Tel. +39 0735 705007 \_ Fax +39 0735 704912

info@inim.biz \_ [www.inim.biz](http://www.inim.biz)

Inim distributor's stamp and signature