

Mullion-Style Weatherproof

SK-2323-SDQ Stand-Alone Keypad

SK-2323-SPQ Stand-Alone Keypad with Built-In Proximity Reader

Features

- 1,010 Users (Output #1: 1,000 users, Output #2: 10 users)
- 2 Form C relay outputs
- Each relay has programmable output time from 1~99 seconds or toggle
- Output #2 can be programmed for use with a doorbell
- 2 Egress inputs and 1 door sensor input
- Backlit keys for easy nighttime use
- 2 Multi-colored status LEDs
- All features are programmed directly from the keypad — no need for an external programmer
- EEPROM protects programmed information in case of power loss.
- Optical tamper sensor for added security
- Circuitry is potted with epoxy for outdoor use
- Weatherproof (IP65)
- Rugged aluminum construction

SK-2323-SPQ only

- Built-in 125kHz proximity reader
- 3 Programmable access modes for Output #1: Card Only, Card or Code, and Card with Code
- Output #2 may have either a card or a code programmed for each user.

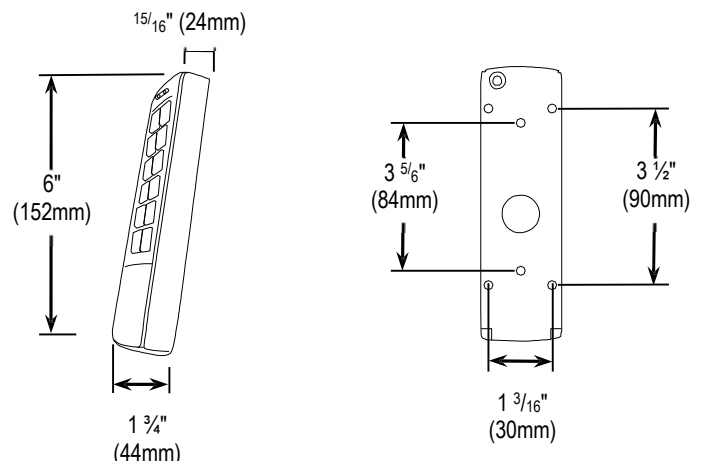


SK-2323-SDQ shown

Specifications

| Model | SK-2323-SDQ | SK-2323-SPQ |
|----------------------------|-------------------------------|---|
| Operating voltage | 12~24 VAC/VDC | |
| Current draw | Standby | 64mA@12VDC |
| | 1 Relay active | 92mA@12VDC |
| | 2 Relays active | 120mA@12VDC |
| Relay outputs | Output #1 | 1A@30VDC, Form C, NO/NC/COM |
| | Output #2 | 1A@30VDC, Form C, NO/NC/COM |
| Egress inputs | Input #1 | N.O. ground |
| | Input #2 | N.O. ground |
| Door sensor input | N.C. ground | |
| Tamper sensor | Optical | |
| Operating temperature | -4°~122° F (-20°~50° C) | |
| Keypad LED life | 60,000 hours (over 6.8 years) | |
| Weight | 11-oz (312g) | |
| Proximity reader frequency | N/A | 125kHz |
| Proximity reader distance | N/A | 1 ¹⁵ / ₁₆ " (5cm) |

Dimensions



SECO-LARM® U.S.A., Inc.

16842 Millikan Avenue, Irvine, CA 92606

Phone: (949) 261-2999 | (800) 662-0800 Fax: (949) 261-7326

Website: www.seco-larm.com Email: sales@seco-larm.com

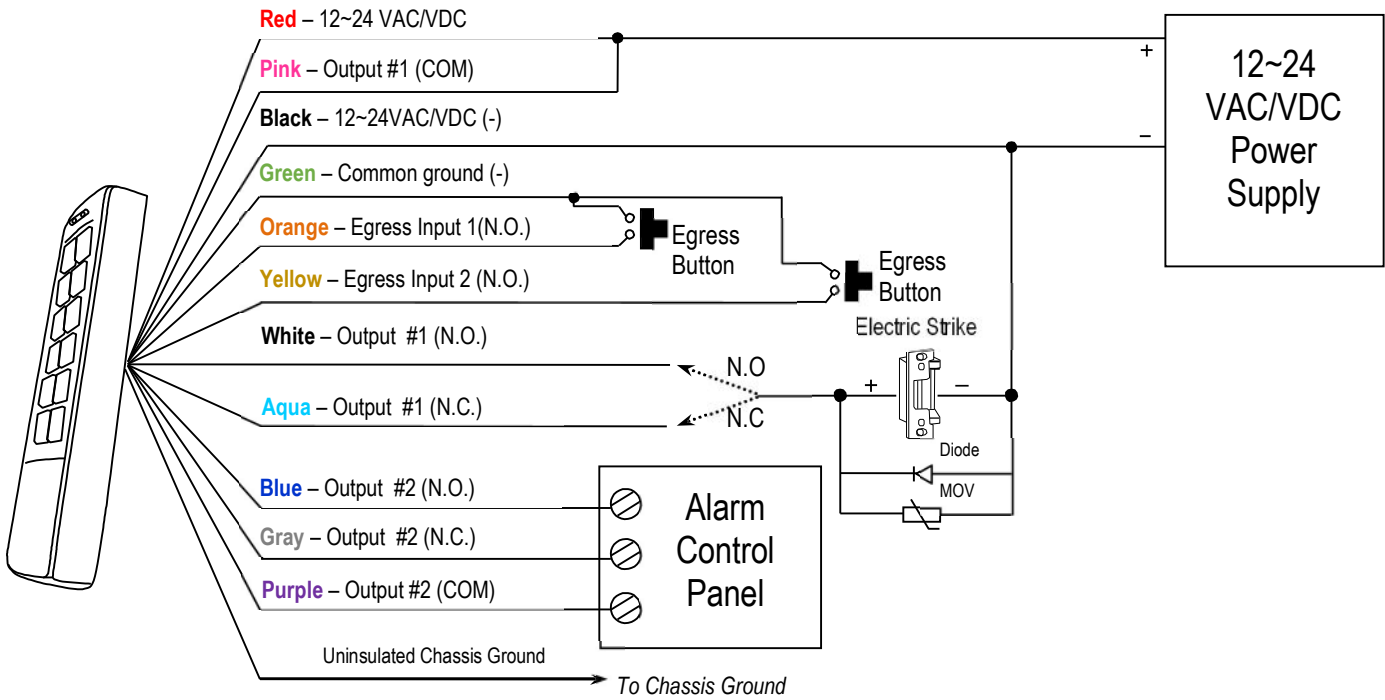


Copyright © 2021 SECO-LARM U.S.A., Inc. All rights reserved. All trademarks are the property of SECO-LARM U.S.A., Inc. or their respective owners. The SECO-LARM policy is one of continual development. For that reason, SECO-LARM reserves the right to change prices and specifications without notice. SECO-LARM is not responsible for misprints.

SECO-LARM® ENFORCER® CRIMEBUSTER® CBA® SLI®

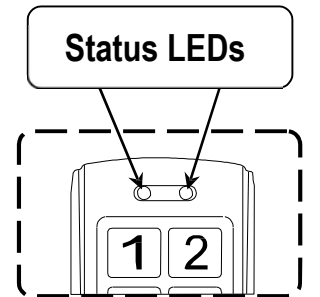
PI_SK-2323-SxQ_230711.docx

Wiring Diagram



Status LEDs

| Left LED | Right LED | Keypad Status |
|-----------------------|-----------------|---|
| OFF | Green | Power ON |
| OFF | Orange | Programming Mode |
| Green | Orange flashing | Waiting to program code/card* (card+code access mode) |
| Red | Orange flashing | Code/card* already present |
| Green | Green | Relay 1 activated |
| Red | Green | Relay 2 activated |
| Orange | Green | Relay 1 and 2 both activated |
| Orange | Orange | Restoring factory defaults |
| Green/Yellow flashing | Green | Waiting for code/card entry* (card+code access mode) |
| OFF | OFF | Power OFF / Clearing user codes |



*Card operation with SK-2323-SPQ only