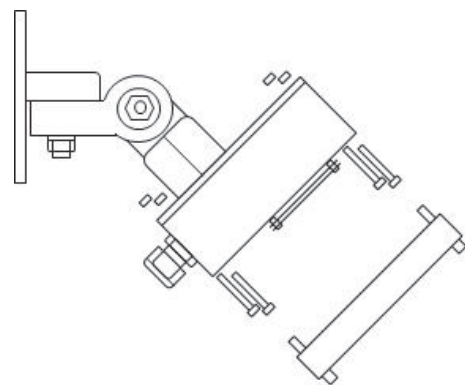


Accessory devices for SENSEWARE flame detectors

SM21

ARTICULATED SUPPORT IN PA66 POLYAMIDE



TC-169/1

TEST LAMP FOR FLAME DETECTORS

Non-EX certified test lamp with rechargeable batteries, including battery charger and adjustable steel case for easy orientation of flame detectors.



TC-940/1Z

TEST LAMP FOR FLAME DETECTORS

TC-940/1Z:
Test lamp, with case.
Intrinsically safe, IECEx/Atex certified.





ORDER CODES

SM21	Articulated support
TC-169/1	Non-EX test lamp
TC-940/1Z	IECEX/Atex certified test lamp



Centobuchi, via Dei Lavoratori 10
63076, Monteprandone (AP), ITALY
Tel. +39 0735 705007 _ Fax +39 0735 704912

info@inim.biz _ www.inim.biz

Inim distributor's stamp and signature