

ANTI_INTRUSION CONTROL PANELS



SmartLevel is the solution to all ancillary power requirements. The control board of this device is compliant with EN50131-6. Therefore, it can be installed in installations certified in accordance with EN50131, security grade 3.

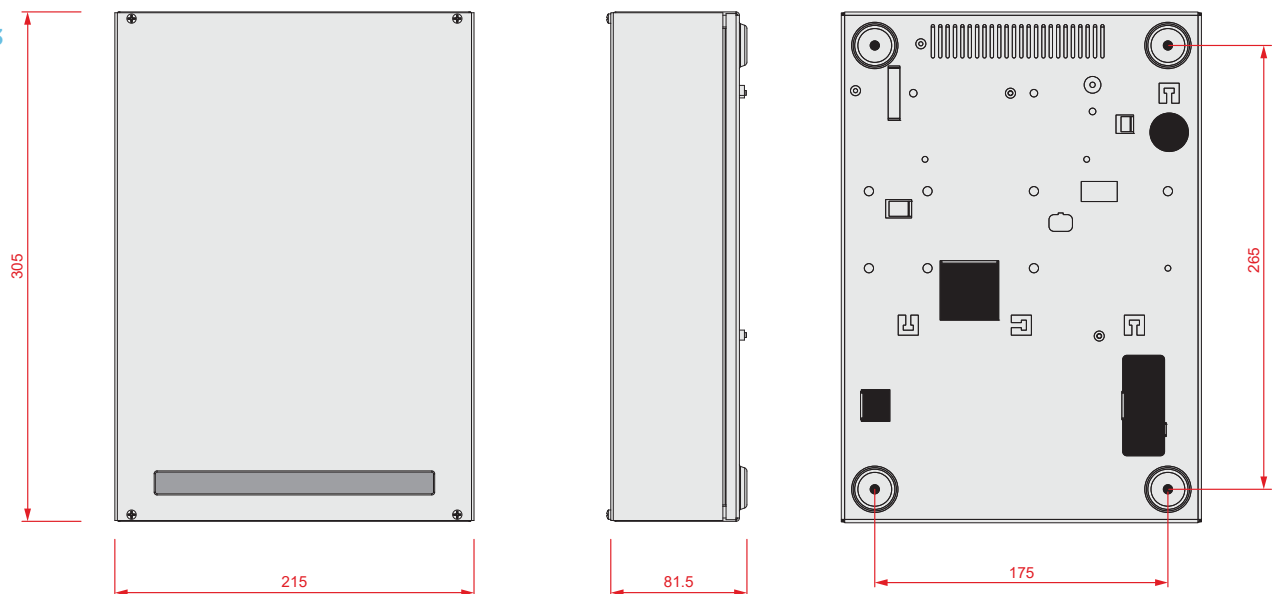
SmartLevel is available in two models:

- the SPS12060XG3 is capable of supplying up to 3.7A @ 13.8V and provides housing for 12V-7Ah battery
- the SPS12160XG3 is capable of supplying 6.2A @ 13.8V and provides housing for 12V-17Ah battery

Each model provides 3 outputs, each one protected against short circuits and current limited to 1.35A. The electronic board and the internal switching power-supply module can maintain under charge and supervised the batteries located in the box.

Main features	SPS12060XG3	SPS12160XG3
Internal switching power-supply module	3.7A @ 13.8V	6.2A @ 13.8V
Input voltage	230V~ -15% +10%, 50-60Hz	
Maximum current draw 230V~	0.5A	1.1A
Output voltage	13.8Vdc nominal from 9.5 to 15Vdc	
Stability	higher than 1%	
Ancillary power outputs, each with short-circuit protection and a current limit of 1.35A	3	
Integrated battery charger	Yes	Yes
Batteries supervision	Yes	Yes
Tamper/Fault signalling relay output	Yes	Yes
Open-collector outputs for fault signalling	2	
Battery housing	7Ah	17Ah
Dimensions (HxWxD)	305x215x82 mm	497x379x92 mm
Weight (without battery)	2.2kg	5.3kg

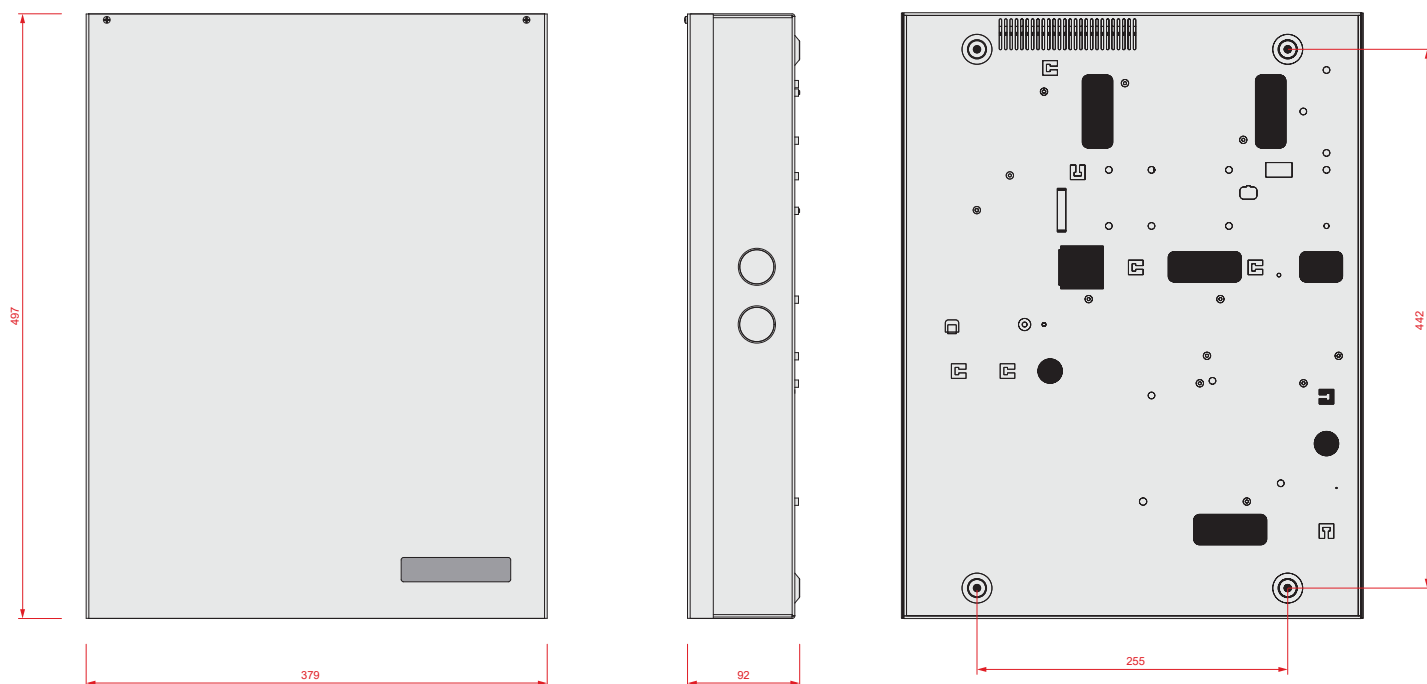
SPS12060XG3 stations



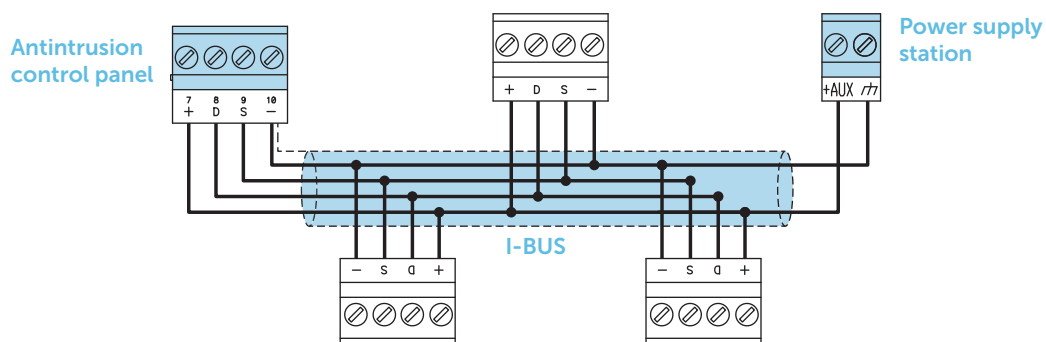
SPS12060XG3 SPS12160XG3



SPS12160XG3 stations



CONFIGURATION DIAGRAM



ORDER CODES

SPS12060XG3: switching power supply 2.5A+1.2A, 13.8V with separate battery charger.

SPS12160XG3: switching power supply 5A+1.2A, 13.8V with separate battery charger.



Centobuchi, via Dei Lavoratori 10
63076, Monteprandone (AP), ITALY
Tel. +39 0735 705007 _ Fax +39 0735 704912

info@inim.biz _ www.inim.biz

Inim distributor's stamp
and signature