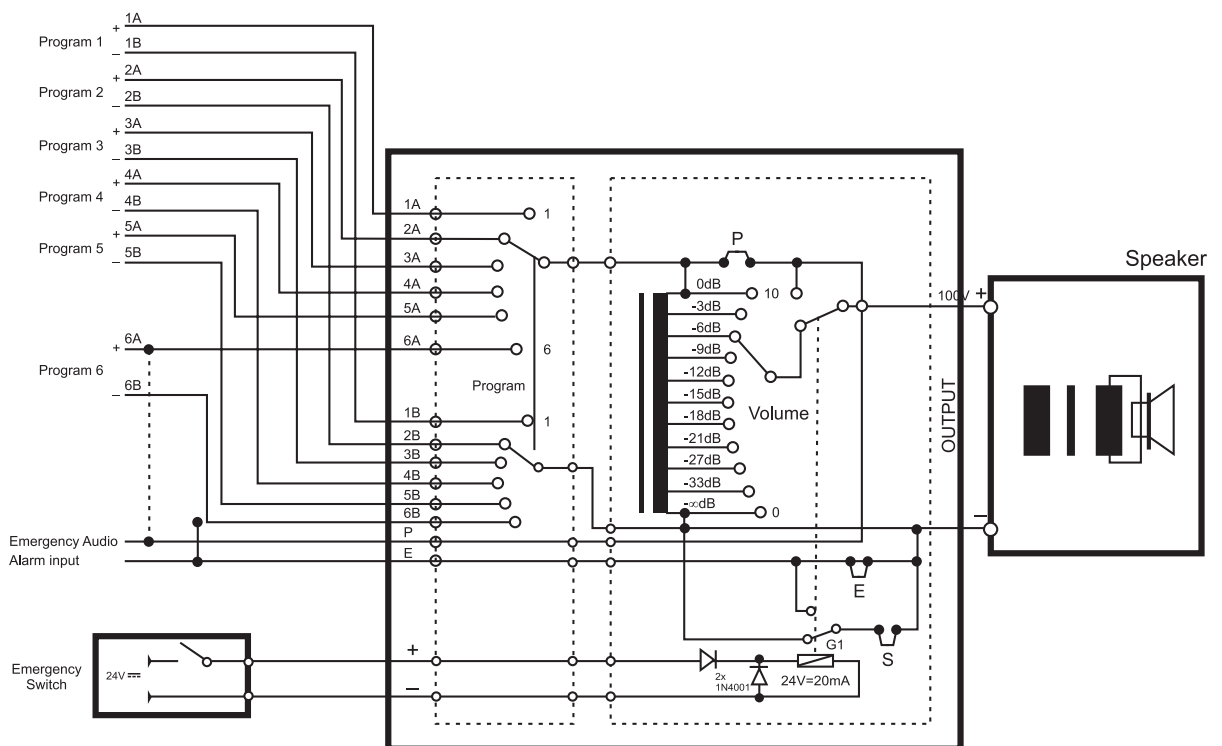


Section	Public Address
Category	Attenuators & Selectors
Range	Channel selectors
Code	TLS60-RE



Description Line selector / 60W Attenuator

The **TLS60-RE** selector switch can be used to switch 6 different programs from constant-voltage lines to one or more loudspeakers. It's also equipped with a by-pass relay capable of excluding attenuation in the presence of alarm and/or emergency signals having priority, it also has an attenuator. It can be easily wall-mounted using the optional Paso **AC914** box.



Technical data

Rated power	60 W
Dimensions (W x H x D)	80 x 154 x 67 mm
Weight	425 g