

WMD 820

FOLDING ARM ACTUATOR

OPENING STROKE SIZES

90° or 98° (programmable)

PUSH FORCE

250 N

VOLTAGE

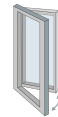
24V DC (+/- 10%)



DESCRIPTION

Designed for doors and surface mounting. For replacement air for windows and doors. Can be used together with espagnolette WMB. Synchronization of up to two actuators – no need for an external synchronization module. Genuine position feedback when using control unit with MotorLink®. Soft close function. The electronics in this actuator can be programmed to suit specific requirements – i.e. pressure- and traction force, stroke, speed/sound level – with the WAT 100 programming box (also after installation). Built-in electronic load switch-off/end stop. Electronic actuator with micro controller. The actuator has an integrated reverse function to ensure a prolonged life span of the window gaskets. Easy mounting. Output for electronic lock max 1A. Potential free feedback for fully open (special version).

WINDOW TYPES



APPLICATION



COMFORT
VENTILATION



SMOKE
VENTILATION

COLOURS

- Silver Anodised
- ⊗ Custom RAL colour

CERTIFICATION

Certified and tested in accordance to EN 12101-2



TECHNICAL DATA

Voltage	24V DC (+/- 10%)
Push Force	250 N
Pull Force	250 N
Locking Force	2000 N
Opening Stroke	90° or 98° (programmable)
Opening Speed	< 60 sec
Current Consumption	1.0 A
Operating Conditions	-5°C - +74°C
Switch-on Duration	ED 40% (max. 4min. per 10min)
Colour	Silver Anodised or custom RAL colour
IP Rating	IP 32
Certification	EN 12101-2
Life Span	10,000 opening and closing movements
Delivery Includes	1 x Actuator (fixing brackets sold separately)
Flex Length	5 m
Cable Dimensions	2-Core (plus 3 commincation wires)
Min. window width	> 750 mm (Side-Hung)
Max. window width	< 1200 mm (Side-Hung)
Synchronisation	Yes (programmable)

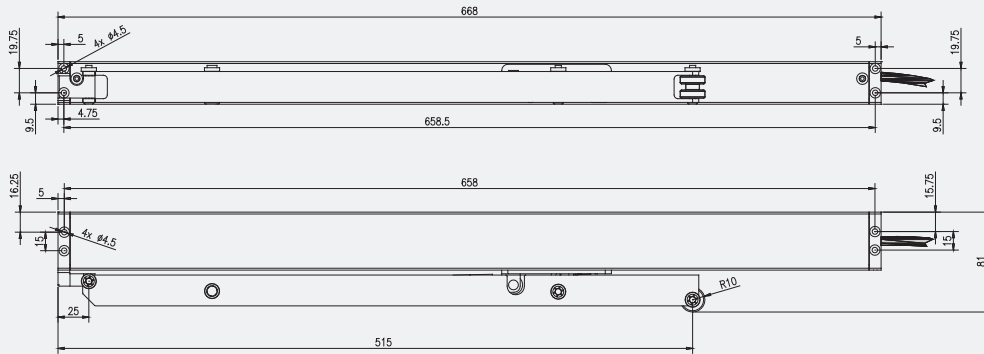
ACCESSORIES

WAB825	- Inward Opening Bracket
WDB820B	- Standard Bracket
WDB820L	- Inward Opening Bracket (Left)
WDB820M	- Vent Bracket
WDB820R	- Inward Opening Bracket (Right)

PART CODES

WMD820-1G-IN	- WMD 820 Actuator (inward opening) 24 V 98° Silver
WMD820-1G-OUT	- WMD 820 Actuator (outward opening) 24 V 90° Silver
WMD820-2G-IN	- WMD 820 Actuator (inward opening) (synchronised) 24 V 98° Silver
WMD820-2G-OUT	- WMD 820 Actuator (outward opening) (synchronised) 24 V 90° Silver

DIMENSIONS



CONTROLS



WSC 204
AOV Control Unit



WSK 320
Override Switch



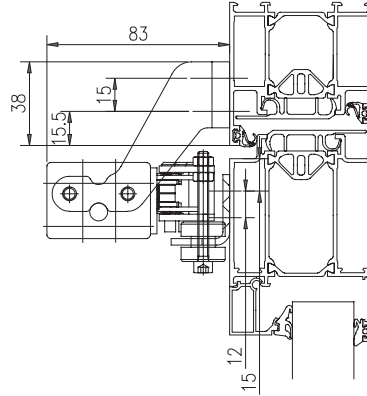
SSR-D
Smoke Sensor



WSC 310
AOV Control Unit

**INSTALLATION
EXAMPLES**

Outward Opening



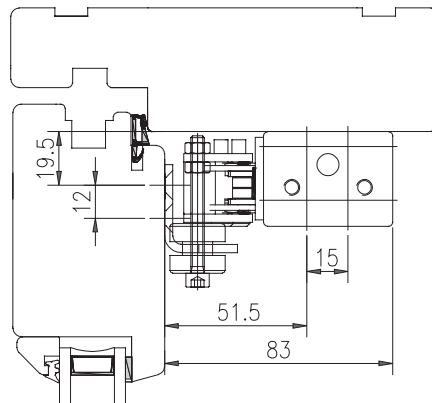
WDB 820M



WDB 820B



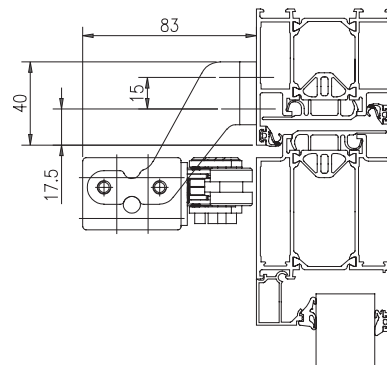
Outward Opening



WDB 820M



Outward Opening
(Day-Day Access)

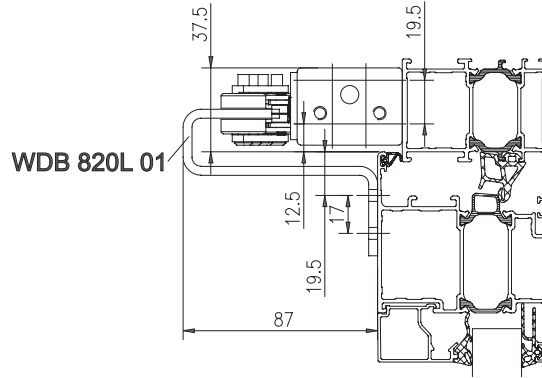


WDB 820B



**INSTALLATION
EXAMPLES**

Inward Opening



WDB 820L / WDB 820R

