

DH-PFA12C

Plastic Junction Box



- Flame retardant PC features outdoor weathering resistance, high intensity and reliability.
- Dependable waterproof structure design.
- Houses wire connections.
- Bottom and side outlets.



Scene

Suitable for camera mounting with operating temperature from -40°C to $+60^{\circ}\text{C}$ (-40°F to $+140^{\circ}\text{F}$) and relative humidity less than 90%.

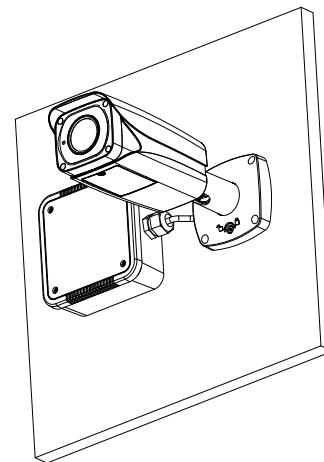
Technical Specification

Model	DH-PFA12C
Material	PC (UL 94 flamer-etardant and UL 746C weather-resistant)
Dimensions	131.6 mm × 131.6 mm × 52 mm (5.18" × 5.18" × 2.05") (L × W × H)
Weight	0.2 kg (0.44 lb)
Operating Temperature	-40°C to $+60^{\circ}\text{C}$ (-40°F to $+140^{\circ}\text{F}$)
Operating Humidity	< 90% (RH)
Color	White
Applicable Camera	Please see "Accessory Selection"

Ordering Information

Type	Model	Description
Camera Mount	DH-PFA12C	Plastic Junction Box
	PFA12C	Plastic Junction Box

Installation



Package Information

- Water-proof Junction Box * 1
- St4 Screw * 4
- Plastic Anchor * 4
- Mounting Sticker * 1

Dimensions (mm [inch])

