



Network

Multi-sensor

PNM-C34404RQPZ

4K 4Ch PTRZ + 2MP 40x PTZ AI Camera



Key Features

- 360° Analytics events based on AI engine: Classified object (Person/Face/Vehicle/License plate)
- 360° Attributes search (Vehicle type: Car/Bus/Truck/Motorcycle/Bicycle)
- AI based loitering detection and line crossing detection
- AI based WiseNR II, Auto prefer shutter control, WiseStreamIII
- AI based smart zoom and advanced hand over
- PTRZ remote adjustment
- New design
- Expansion of alarm/audio features
- Next level cybersecurity (TPM 2.0 with FIPS 140-2 level2)
- Reinforced durability (IP66, IK10, NEMA4X)

Compatible Accessories (Optional)



SPM-4210

PNM-C34404RQPZ

4K 4Ch PTRZ + 2MP 40x PTZ AI Camera



Specifications

Video	4CH camera	PTZ
Imaging Device	1/2.8" CMOS	
Resolution	3840x2160, 1920x1080, 1280x1024, 1280x960, 1280x720, 1024x768, 800x600, 800x448, 720x576, 720x480, 640x480, 640x360, 320x240	1920x1080, 1280x1024, 1280x960, 1280x720, 1024x768, 800x600, 800x448, 720x576, 720x480, 640x480, 640x360, 320x240
Max. Framerate	[AI On] H.265/H.264: Max. 15fps/15fps(60Hz/50Hz) MJPEG: Max. 15fps/15fps(@8MP Max. 5fps) [AI Off] H.265/H.264: Max. 20fps/20fps(60Hz/50Hz) MJPEG: Max. 20fps/20fps(@8MP Max. 5fps)	H.265/H.264: Max. 60fps/50fps(60Hz/50Hz) MJPEG: Max. 30fps/25fps(60Hz/50Hz)
Min. Illumination	Color: 0.1Lux(F1.5, 1/30sec, 30IRE) BW: 0.01Lux(F1.5, 1/30sec, 30IRE), 0Lux(IR LED on)	Color: 0.05Lux(F1.6, 1/30sec, 30IRE) BW: 0.005Lux(F1.6, 1/30sec, 30IRE), 0Lux(IR LED on)
Lens		
Focal Length (Zoom Ratio)	3.3~5.7mm(1.7x) motorized varifocal	4.25~170mm(40x) zoom(digital 32x, total 1280x zoom)
Optical Zoom		40x
Max. Aperture Ratio	F1.5(Wide)~F1.9(Tele)	F1.6(Wide)~F4.95(Tele)
Angular Field of View	H: 109°(Wide)~56°(Tele) V: 55°(Wide)~31°(Tele) D: 136°(Wide)~65°(Tele)	H: 65.66°(Wide)~1.88°(Tele) V: 39.40°(Wide)~1.09°(Tele)
Min. Object Distance	1.3m(4.27ft)	5m(16.4ft)
Focus Control	Simple focus	Oneshot AF, Focus save
Lens Type	Fixed iris	DC auto iris
Pan / Tilt / Rotate		
Pan / Tilt / Rotate Range	Remote adjustment(Max. 200cycles) 0°~360° / 9°~65° / 0°~90° * Tilt angle with Shield IR: 40°~65°	
Pan Range	360° Endless	
Pan Speed	Max: 700°/sec, Manual: 0.024°/sec~250°/sec	
Tilt Range	0°~110°	
Tilt Speed	Max: 500°/sec, Manual: 0.024°/sec~250°/sec	
Sequence	Preset(300ea), Swing, Group(6ea), Trace, Tour, Auto Run, Schedule	
Preset Accuracy	Up to ±0.1°, Pan/Tilt correction	
Operational		
Camera Title	Displayed up to 85 characters	
Direction Indicator	Support	
Day & Night	Auto(ICR)	
Backlight Compensation	BLC, WDR, SSSR	BLC, HLC, WDR, SSSR

Design and specifications are subject to change without notice. The latest product information / specification can be found at HanwhaVision.com.

Hanwha Vision is formerly known as Hanwha Techwin.

Wide Dynamic Range	120dB	extremeWDR(150dB)
Digital Noise Reduction	SSNR V , WiseNR II (Based on AI engine)	
Digital Image Stabilization	Support	
Defog	Support	
Motion Detection	8ea, 8point Polygonal zones	
Privacy Masking	6ea, rectangular zones - Color: Grey/Black/White	32ea, 4point quadrangle zones - Color: Grey/Green/Red/Blue/Black/White - Mosaic
Gain Control	Low / Middle / High	Off / Max Gain / Manual
White Balance	ATW / AWC / Manual / Indoor / Outdoor	ATW / Narrow ATW / AWC / Manual / Indoor / Outdoor / Mercury / Sodium
LDC	Support	
Electronic Shutter Speed	Minimum / Maximum / Anti flicker(2~1/12,000sec) Prefer shutter control(Based on AI engine)	
Video Rotation	Flip, Mirror, Hallway view(90°/270°) - Each channel separately	Flip, Mirror
Analytics	Classified object type: Person/Face/Vehicle/License plate Attributes: Vehicle(Type: car/bus/truck/motorcycle/bicycle) Support BestShot Analytics events based on AI engine - Object detection, Virtual line*(Crossing/Direction), Virtual area*(Loitering/Intrusion/Enter/Exit) Analytics events - Defocus detection, Motion detection, Tampering, Virtual area(Appear/Disappear) * Some of the video analytics only works with people and vehicle detection	Classified object type: Person/Face/Vehicle/License plate Attributes: Vehicle(Type: car/bus/truck/motorcycle/bicycle) Support DetectionShot Analytics events based on AI engine - Object detection, Virtual line*(Crossing/Direction), Virtual area*(Loitering/Intrusion/Enter/Exit) Analytics events - Defocus detection, Motion detection, Tampering, Virtual area(Appear/Disappear) * Some of the video analytics only works with people and vehicle detection
Alarm I/O	Via optional I/O box SPM-4210	
Alarm Triggers	Analytics, Network disconnect, Alarm input(Via optional I/O box SPM-4210), App event, Schedule, MQTT subscription	
Alarm Events	When alarm trigger occurred - File upload(image): e-mail/FTP - Notification: e-mail - Recording: SD/SDHC/SDXC or NAS recording at event triggers - Alarm output(Via optional I/O box SPM-4210) - Handover(PTZ preset, Send message by HTTP/HTTPS/TCP) - Smart zoom - MQTT: publication	
Audio In	Via optional I/O box SPM-4210	
Audio Out	Via optional I/O box SPM-4210	
IR Viewable Length	20m(65.62ft)	200m(656.17ft)
Water Removal	Support(Spin dry)	
Auto Tracking	Object auto tracking(Person/Vehicle), Target lock tracking	
Network		
Ethernet	Metal shielded RJ-45(10/100/1000BASE-T)	
Video Compression	H.265/H.264: Main/High, MJPEG	H.265/H.264: Main/Baseline/High, MJPEG
Smart Codec	Manual(5ea area), WiseStream II , WiseStreamIII(Based on AI engine)	
Bitrate Control	H.264/H.265: CBR or VBR MJPEG: VBR	
Streaming	Unicast(10 users) / Multicast Multiple streaming(Up to 3 profiles)	Unicast(20 users) / Multicast Multiple streaming(Up to 10 profiles)
Protocol	IPv4, IPv6, TCP/IP, UDP/IP, RTP(UDP), RTP(TCP), RTCP, RTSP, NTP, HTTP, HTTPS, SSL/TLS, DHCP, FTP, SMTP, ICMP, IGMP, SNMPv1/v2c/v3(MIB-2), ARP, DNS, DDNS, QoS, UPnP, Bonjour, LLDP, SRTP(TCP, UDP Unicast), MQTT	

Design and specifications are subject to change without notice. The latest product information / specification can be found at HanwhaVision.com.

Hanwha Vision is formerly known as Hanwha Techwin.

Application Programming Interface	ONVIF Profile S/T/M SUNAPI(HTTP API) Hanwha Vision open platform	
Security		
OS / Firmware Protect	Secure boot, Signed firmware, Firmware encryption	
User authentication	Digest Authentication	
Network authentication	802.1X Authentication(EAP-TLS, EAP-LEAP, EAP-PEAP MSCHAPv2)	
Secure Communication	HTTPS, SRTP, WSS(Websocket secure)	
Access Control	IP address filtering	
Data Protect	Authentication information encryption, ZIP compression encryption	
Audit	User Access/System/Event log	
Device ID	Device Certificate(Hanwha Private Root CA)	
Secure Storage	TPM 2.0	
General		
Webpage Language	English, Korean, Chinese, French, Italian, Spanish, German, Japanese, Russian, Portuguese, Czech, Polish, Turkish, Dutch, Hungarian, Greek	
Edge Storage	Micro SD/SDHC/SDXC 2slot 1TB(512GBx2)	
Memory	8GB RAM, 1GB Flash	4GB RAM, 512MB Flash
Environmental & Electrical		
Operating Temperature / Humidity	-40°C~+50°C(-40°F~+122°F) +74°C(+165°F)(MAX) based on NEMA-TS 2(2.2.7) * Start up should be done at above -30°C 0~95% RH(non-condensing)	
Storage Temperature / Humidity	-50°C~+60°C(-58°F~+140°F) / 0~90% RH	
Wind Load	241km/h(150mph)	
EPA(Effective Projected Area)	0.075m ²	
Certification	IP66, NEMA4X, IK10	
Input Voltage	HPoE(IEEE802.3bt type 4, Class 8)	
Power Consumption	HPoE: Max 64.00W, typical 45.00W	
Mechanical		
Color / Material	White / Aluminum Bubble: Hard-coated dome 4CH and PTZ	
RAL Code	RAL9003	
Product Dimensions / Weight	ø379.8x301.9mm(ø14.95x11.89"), 7,900g(17.42lb)	
Hanging Mount (Dome)	Included	
Certifications & Standards		
EMC	FCC 47 CFR 15 Subpart B Class A ICES-3(A)/NMB-3(A) CE/UKCA - EN 55032 Class A, EN 50130-4, EN 61000-3-2, EN 61000-3-3 VCCI CISPR 32 Class A RCM AS/NZS CISPR 32 Class A	
Safety	UL 62368-1, CAN/CSA C22.2 NO. 62368-1 IEC/EN 62471	
Environment	IEC/EN 63000 IEC/EN 60529 IP66, IEC/EN 62262 IK10 NEMA 250 type 4X	
DORI (EN62676-4 standard)		

Design and specifications are subject to change without notice. The latest product information / specification can be found at HanwhaVision.com.

Hanwha Vision is formerly known as Hanwha Techwin.

Detect (25PPM/ 8PPF)	Wide: 54.8m(179.73ft) / Tele: 144.4m(473.88ft)	Wide: 59.5m(195.3ft) / Tele: 2340.4m(7678.4ft)
Observe (63PPM/ 19PPF)	Wide: 21.9m(71.89ft) / Tele: 57.8m(189.55ft)	Wide: 23.8m(78.1ft) / Tele: 936.2m(3071.4ft)
Recognize (125PPM/ 38PPF)	Wide: 11.0m(35.95ft) / Tele: 28.9m(94.78ft)	Wide: 11.9m(39.1ft) / Tele: 468.1m(1535.7ft)
Identify (250PPM/ 76PPF)	Wide: 5.5m(17.97ft) / Tele: 14.4m(47.39ft)	Wide: 6.0m(19.5ft) / Tele: 234.0m(767.8ft)

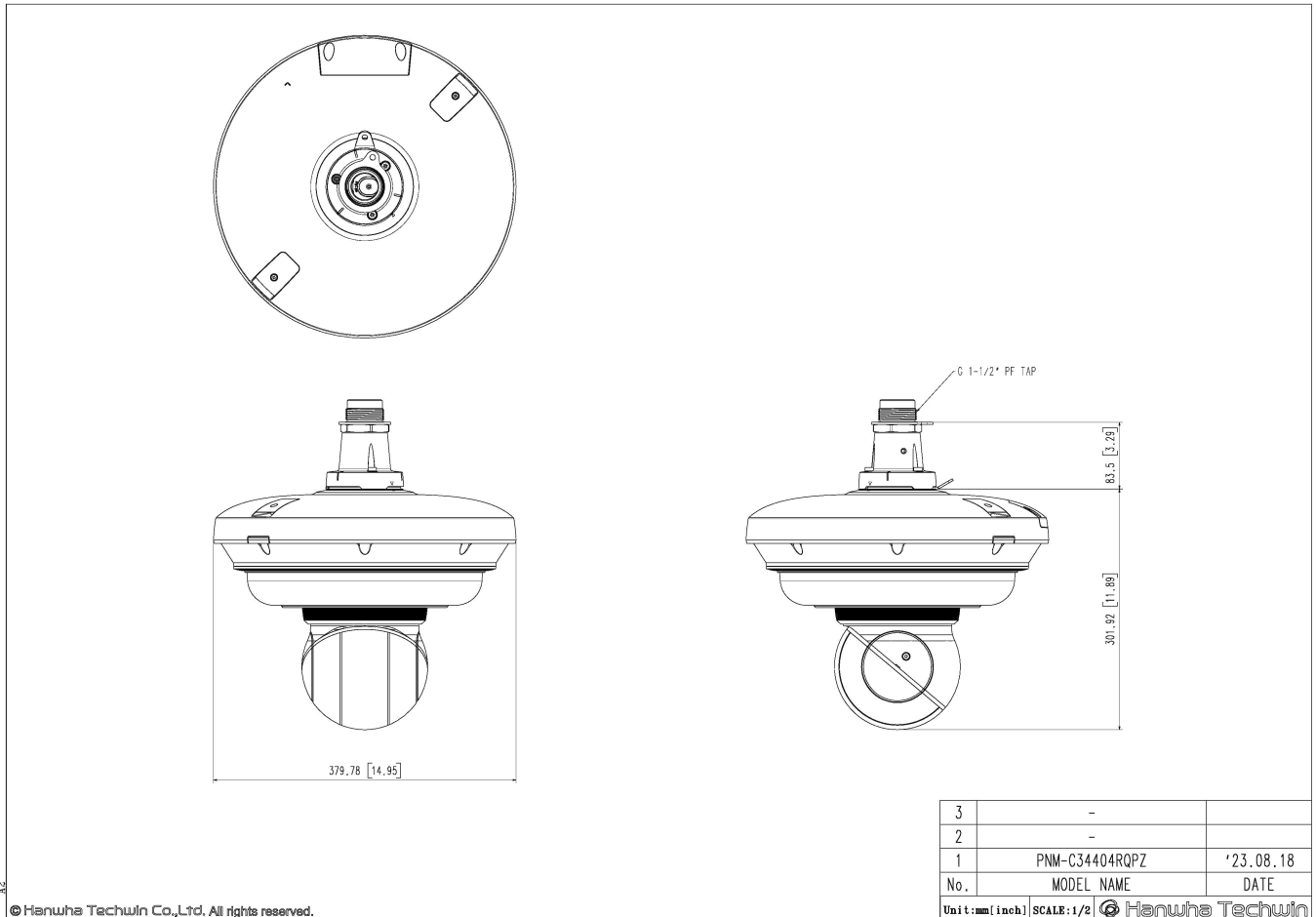
PNM-C34404RQPZ

4K 4Ch PTRZ + 2MP 40x PTZ AI Camera



CAD

Unit:mm [inch]



© Hanwha Techwin Co.,Ltd. All rights reserved.