

Surface Magnetic Contact

Code: *SC517/WH*

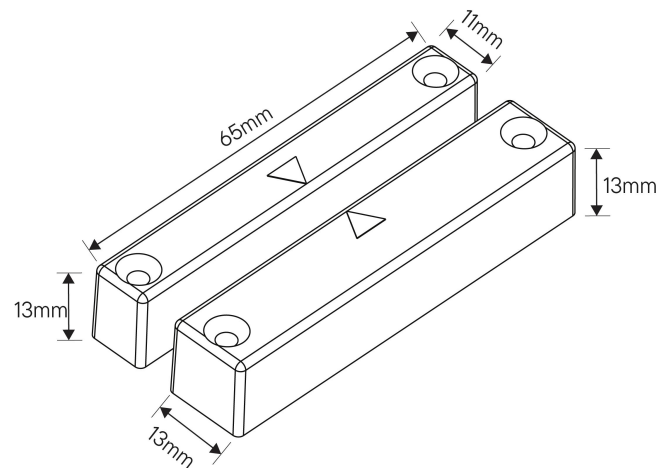
SC517 | Surface Contact | Grade 1 | White | Non-resistored



This compact surface mounted magnetic contact can be used in security systems up to and including security grade 1 & environmental class II (for use indoors) as specified in EN50131-1 and is compliant to EN50131-2-6. It operates as a normally closed circuit going open when the magnet housing is moved away from the contact housing.

Features & Benefits

- 65 x 13.5 x 13mm
- 5 Terminals
- Operating Gap - 20mm
- EN50131-2-6 Grade 1
- Environmental Class II



Product Information

Security Grade

1

CQR Security, 125 Pasture Road, Moreton, Wirral, CH46 4TH

Sales: +44(0)151 6061000 (9am to 5pm Monday to Friday) Tech: +44(0)151 606 6311

sales@cqr.co.uk | www.cqr.co.uk

Company Registration Number: 5192024 | VAT Number: 309 0409 27



Environmental Class	Class II
Standards	EN50131-1, EN50131-2-6, EN50130-5
Warranty	2
Connection type	Wired

Housing

Colour	White
Material	HIPS

Electrical

Connection type	Wired
No. of terminals	5 Terminals
Contact type	Normally Closed
Contact Material	Palladium

Features

Mode of operation	SP
Operation Axes (X, Y, Z)	X, Y, Z
Pull-in gap (X, Y, Z)mm	5, 10, 20
Suitable for Double Door	No
No. of terminals	5 Terminals

