



Indoor Sounderflasher

The **Smarty** indoor sounderflasher has been especially designed for trouble-free assembly and mounting. It is built around a microcontroller which guarantees high-performance and reliability.

Signalling is triggered by powerup. An input terminal allows you to select the trigger mode and sound output level.

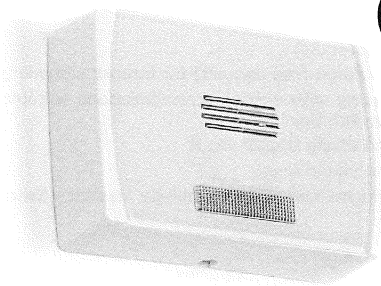
The unit has built-in tamper protection and also provides an output which is capable of sending tamper signals to the intrusion control-panel.

Description of parts

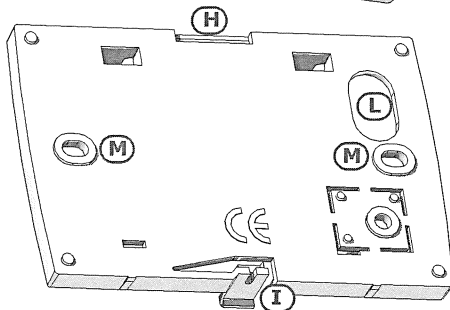
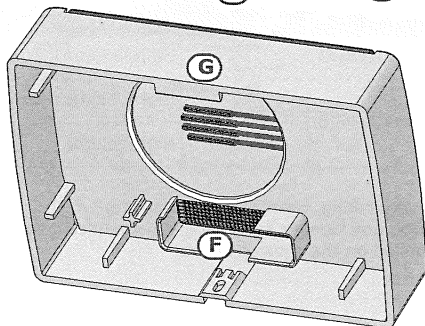
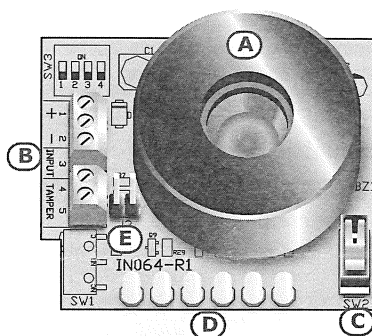
A		Piezoelectric horn
B		Terminal board
C		Tamper microswitch
D	PCB	Flasher (Smarty/GIB only)
E		Sound level selection connectors (Smarty/GIB only)
F	Cover	Light output
G		Tongue
H		Tongue location
I		Back-locking catch
L	Backplate	Cable entry
M		Backplate screw locations

Terminal board

n.	icon / name	description
1	+	Positive power terminal supports 13.8V
2	-	Negative power terminal
3	INPUT	Sound level selection terminal
4 - 5	TAMPER	Tamper signalling terminal



Instructions



Features

- Piezoelectric sounder
- Tamper protection
- Output (voltage-free contact) for tamper signalling
- Plastic casing with anchor-screw locations suitable for 503 electric-switch boxes
- Power and alarm trigger input
- Selectable sound level
- High-performance LED technology flasher (**Smarty/GIB** only)

Mountin the unit

1. Lift the back-locking catch on the underside of the unit and detach the backplate from the cover.
2. Pull the connection wires through the cable gland entry.
3. Using 2 anchor anchor screws in the respective locations, mount the backplate to its placement.
4. Complete the connections on the terminal board.
5. Place the tongue (on the top part of the cover) into its location on the backplate, then push the bottom part of the cover gently into position until it snap closes.

Power supply connection

Audible and visual signalling is triggered by voltage input.

Extra connections

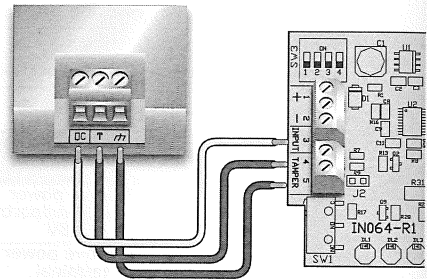
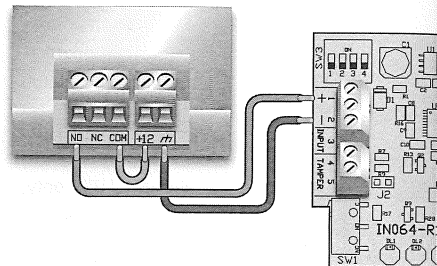
The **INPUT** terminal also allows you select the sound volume:

Model	Jumper	INPUT open	INPUT closed to GND
Smarty/SIB	Not available	High Volume	Low Volume
Smarty/GIB	Not inserted	High Volume	Low Volume
	Inserted	High Volume	No sound emission

By connecting terminals **4-5** to one of the control panel inputs, any tamper signals on the sounderflasher will also be signalled on the control panel.

Technical specifications	Value
Operating voltage	13.8 V=
Max. current draw	130 mA
Horn output MAX (@ 1m)	110 db(A)
Flashes per minute	60
Max. alarm time	8 min
Protection rating	IP 31
Operating temperature	-5 to +40 °C
Dimensions (L xA xP)	111 x 75 x 30 mm
Weight	110 g

Wiring diagrams



INIM Electronics s.r.l.
via Fosso Antico, Centobuchi
63033, Montepandone, (AP) Italy
Tel. +39 0735 70 50 07
Fax + 39 0735 70 49 12
www.inim.biz info@inim.biz